

Q.SONIC[®]MAX

Multi-path ultrasonic gas meter highest industry standard for custody transfer

BRIEF INFORMATION

The ultrasonic gas flow meter Q.Sonic^{max} is a multipath ultrasonic gas flow meter utilizing the most accurate acoustic path configuration available to the market.

Combining the best out of two worlds to maintain the lowest uncertainty with high robustness to meet the individual operational demands.

It is the first 8 path meter combining reflection technology with direct technology. Due to this unique patented path configuration it maintains the lowest uncertainty with the most extended diagnostics possibilities. With two swirls paths, double reflection, for linearity and stability and six direct path for enhanced robustness it offers unequalled flow profile recognition and maintains the lowest uncertainty in all situations. No exclusions from the standard or restricted flow rate to meet OIML accuracy class 0.5.

The Q.Sonic^{max} provides additional measurement confidence by offering an internal pressure and temperature sensors for a more accurate calculation of Reynolds number and dynamic body correction. This ensures a repeatable and accurate flow measurement, even when process conditions vary or differ from calibrated conditions.

Encrypted data is managed by the real time operating system (RTOS) philosophy pioneered by Green Hills Software. Integrity RTOS provides one of the most reliable operating platforms in the world delivering piece of mind with the highest security level that is currently achievable for a real time operating system.

The electronics are located in a flame-proof housing with a separate connection compartment for field wiring. Thanks to its modular hardware design with a free slot, the device is also prepared to tackle future requirements. For user operation the system is equipped with a graphical user interface with touch screen functionality.

SonicExplorer, a PC based software package, for the operator, service, technician and engineering world is used to configure, diagnose, and monitor the Q.Sonic^{max} flow meter either local or remote.



MAIN FEATURES

- 8-path, reflective and direct technology
- Sizes 4" to 36"—larger sizes available upon request (DN 100 to DN 900)
- Pressure ratings ANSI class 150 to 1500 PN on request
- All-metal-encapsulated intrinsically safe transducers
- Internal temperature sensor
- Flow profile detection with swirl and asymmetry measurement
- No moving parts
- No pressure drop
- Bi-directional measurement
- SonicExplorer PC software for configuration, diagnostics and health monitoring
- OIML R137-1 2012 accuracy class 0.5 approved
- ISO 17089-1:2010 approved
- AGA 9 compliant
- MID approved.

Options

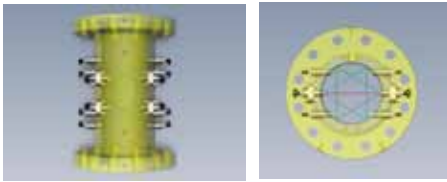
- VDSL range extender for high-speed communication (TCP/IP)
- Pressure sensor for Reynolds corrections
- Retraction tool for transducer exchange 'under pressure.'

Applications

- Custody transfer measurement of natural gas
- Gas exploration, transmission and distribution.

One of the unique features of SonicExplorer is the “create customer service pack”. At the sign of any warning or alarm the operator can initiate SonicExplorer to immediately collect a log containing the entire state of the ultrasonic flow meter including all diagnostics, configuration and spectral noise analysis. The customer service pack is automatically compressed, and directed to a preselected e-mail recipient for support from Honeywell Elster or Engineer/Technician of your choice.

Path Configuration

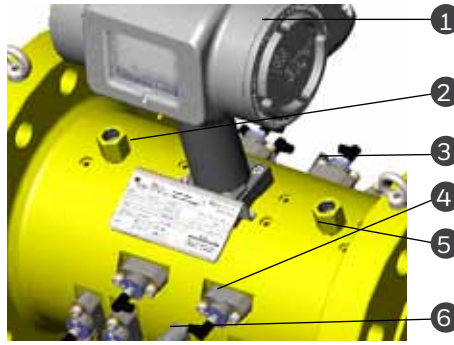


The Q.Sonicmax uses three pairs of direct cross X paths in the same plane and two swirl double reflection paths culminating in a sophisticated acoustic imaging and interrogation of the gas stream.

Ultrasonic Transducers Model NG

The transducers are all-metal encapsulated with titanium, which offers a smooth surface to minimize contamination. The ultrasonic frequency of 200 kHz ensures a good balance between resolution and attenuation/propagation of the signal.

Components on the Meter Body



- ① Signal processing unit (SPU)
- ② Pressure connection point for external transmitter
- ③ Temperature sensor for meter body temperature
- ④ Transducer with mounting plate, prepared for retraction under pressure
- ⑤ Second pressure connection point
- ⑥ Optional pressure sensor for geometry correction and line density estimation (profile correction)

The heart of the system is the enCore with up to 16 GB of data memory. Diagnostic and self-checking functions in conjunction with a flexible, user-configurable data archive and an event list allow a detailed analysis of the meter’s performance and the metering situation at any time.

Signal Processing Unit (SPU) Series 6

The SPU electronic resides in a flame-proof housing with a separate compartment for the terminal connections. The boards are mounted in a card cage with one free slot for future extensions.

A colour graphic screen with 7 touch-sensitive sections allows easy operation by using a menu structure to access the data. Thanks to the built-in web server, this can also be done remotely when the meter is connected to the production LAN.

SonicExplorer®

Windows-based software package for the Q.Sonic^{max} for on-site and remote use. SonicExplorer is a tool that allows the health and performance of the device to be determined in situ so that informed decisions can be made in respect of maintenance or other tasks related to the ultrasonic flow meter.



Function overview:

- Meter data base
- Configuration, setting and documentation
- Diagnostics
- Health reporting
- Customer service pack
(automated collection of relevant data for off-site analysis)

FLOW RANGES METRIC

Type	Size		Flange Connection		Spool Diameter		Internal	Extended Flow range acc. to MID [m ³ /h]				Turn-down
	[Inch]	DN	ANSI Schedule	EN1092-1	ANSI Flange Max ID [mm]	PN Flange Max ID [mm]	Diameter [mm]	Extended Q _{min}	Standard Flow range [m ³ /h]			
									Standard Q _{min}	Q _t	Q _{max}	
Reduced bore fixed inner diameter	4	100	STD-XS	PN 10-PN 100	102.30	107.10	97	13	19	100	1000	79
	6	150	STD-XS XS-120	PN 10-PN 100	154.10 146.30	159.30	146 139	18 16	36 33	220 200	2200 2000	124 125
	8	200	STD-XS XS-120	PN 10-PN 100	202.70 193.70	206.50	190 180	30 27	61 55	400 350	3900 3500	130 130
	10	250	STD-80 80-120	PN 10-PN 100	254.50 242.80	260.40	240 230	48 44	65 60	590 540	5900 5400	123 123
	12	300	30-60 60-100	PN 10-PN 100	307.00 295.30	309.70	295 280	73 66	100 90	860 780	8600 7800	118 118
	14	350	30-60 60-100	PN 10-PN 100	336.50 325.40	341.40	325 305	85 75	120 105	1000 900	10000 9000	118 120
	16	400	30-60 60-100	PN 10-PN 100	387.30 373.00	392.20	370 350	115 100	115 100	1300 1150	13000 11500	113 115
Full bore customized	18	450	STD 120	PN 10-PN 40		442.80	Max. 437.90 Min. 387.10	165 120	165 120	1800 1350	18000 13500	109 113
	20	500	STD 120	PN 10-PN 100		493.80	Max. 488.90 Min. 431.80	200 160	200 160	2100 1600	21000 16000	105 100
	24	600	STD 100	PN 10-PN 63		594.00	Max. 590.90 Min. 532.22	295 240	295 240	3000 2400	30000 24000	102 100
	26	650	STD S = 25.4	n/a			Max. 640.90 Min. 609.20	330 275	330 275	3300 2750	33000 27500	100 100
	30	750	STD S = 31.75	n/a			Max. 742.90 Min. 730.30	460 370	460 370	4600 3700	46000 37000	100 100
	36	900	STD S = 31.75	PN 10-PN 63		889.00	Max. 894.90 Min. 850.50	670 525	670 525	6700 5250	67000 52500	100 100
	42	1050	STD S = 31.75	n/a			Max. 1047.90 Min. 1003.50	920 750	920 750	8300 6750	83000 67500	90 90
	48	1200	STD S = 31.75	PN 10-PN 63		1194.00	Max. 1199.90 Min. 1155.50	1200 1000	1.200 1.000	11000 9100	110000 91000	92 91
	56	1400	S = 12.7 S = 31.75	PN 10-PN 40		1393.60	Max. 1396.60 Min. 1358.50	1650 1600	1.650 1.600	15000 14300	150000 143000	91 89

FLOW RANGES IMPERIAL

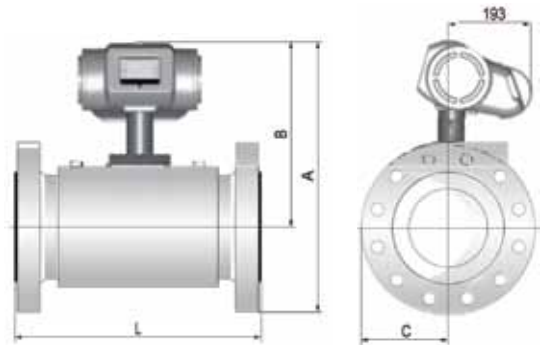
Type	Size		Flange Connection		Spool Diameter		Internal	Extended Flow range acc. to MID [MC FD]				Turn-down
	[Inch]	DN	ANSI Schedule	EN1092-1	ANSI Flange Max ID [inch]	PN Flange Max ID [inch]	Diameter [inch]	Extended Q _{min}	Standard Flow range [MC FD]			
									Standard Q _{min}	Q _t	Q _{max}	
	4	100	STD-XS	PN 10-PN 100	4.03	4.22	3.82	11	16	85	848	79
	6	150	STD-XS XS-120	PN 10-PN 100	6.07 5.76	6.27	5.75 5.47	15 14	31 28	186 170	1865 1695	124 125
	8	200	STD-XS XS-120	PN 10-PN 100	7.98 7.63	8.13	7.48 7.09	25 23	52 47	339 297	3250 2966	130 130
	10	250	STD-80 80-120	PN 10-PN 100	10.02 9.56	10.25	9.45 9.06	41 37	55 51	500 458	5001 4577	123 123
	12	300	30-60 60-100	PN 10-PN 100	12.09 11.63	12.19	11.61 11.02	62 56	85 76	729 661	7289 6611	118 118
	14	350	30-60 60-100	PN 10-PN 100	13.25 12.81	13.44	12.80 12.01	72 64	102 89	848 763	8476 7628	118 120
	16	400	30-60 60-100	PN 10-PN 100	15.25 14.69	15.44	14.57 13.78	97 85	97 85	1102 975	11018 9747	113 115
	18	450	STD 120	PN 10-PN 40		17.43	Max. 17.24 Min. 15.24	140 102	140 102	1526 1144	15256 11442	109 113
	20	500	STD 120	PN 10-PN 100		19.44	Max. 19.25 Min. 17	170 136	170 136	1780 1356	17799 13561	105 100
	24	600	STD 100	PN 10-PN 63		23.39	Max. 23.26 Min. 20.95	250 203	250 203	2543 2034	25427 20341	102 100
	26	650	STD S = 25.4	n/a			Max. 25.23 Min. 23.98	280 233	280 233	2797 2331	27969 23308	100 100
	30	750	STD S = 31.75	n/a			Max. 29.25 Min. 28.75	390 314	390 314	3899 3136	38987 31359	100 100
	36	900	STD S = 31.75	PN 10-PN 63		35.00	Max. 35.23 Min. 33.48	568 445	568 445	5679 4450	56786 44496	100 100
	42	1050	STD S = 31.75	n/a			Max. 41.26 Min. 39.51	780 636	780 636	7035 5721	70347 57210	90 90
	48	1200	STD S = 31.75	PN 10-PN 63		47.01	Max. 47.24 Min. 45.49	1017 848	1017 848	9323 7713	93231 77127	92 91
	56	1400	S = 12.7 S = 31.75	PN 10-PN 40		54.87	Max. 54.98 Min. 53.48	1398 1356	1398 1356	12713 12120	127133 121200	91 89

For MID approved sizes and flow ranges, please also refer to the latest EC Type-examination Certificate T10586

MATERIAL SPECIFICATIONS ANSI 150-900 (FLOW CELL)

LTCS Forging	ASTM A350-LF2 Cl.1
LTCS Welding	ASTM A333 Grade 6/ASTM A350-LF2 Cl.1
SS Forging	ASTM A182-F316
SS Welding	ASTM A312-TP316L/ASTM A182-F316L
LTCS/SS	Size > 24" as per Customer Specification
Material Certificate 3.1	

LTCS: Low Temperature Carbon Steel. Other Materials on Request.



FLANGE RATING ANSI 150 METRIC

Meter Size [inch]	Meter Size [mm]	Dimensions [mm]				Flow Cell Material	Weight Forged [kg]	Weight Welded [kg]	Length
		A	B	C	L				
4"	DN 100	546	431	153	400	LTCS/SS	70	-	4D
6"	DN 150	570	430	184	450	LTCS/SS	109	-	3D
8"	DN 200	625	452	205	600	LTCS/SS	174	-	3D
10"	DN 250	680	477	252	750	LTCS/SS	248	-	3D
12"	DN 300	747	505	280	900	LTCS/SS	373	-	3D
14"	DN 350	802	535	310	1050	LTCS/SS	499	-	3D
16"	DN 400	859	561	336	1200	LTCS/SS	615	-	3D
18"	DN 450	903	586	331	1350	LTCS/SS	939	-	3D
20"	DN 500	961	611	356	1500	LTCS/SS	1010	-	3D
24"	DN 600	1069	662	407	1800	LTCS/SS	-	1184	3D
30"	DN 750	1230	738	492	2250	LTCS/SS	-	1418	3D
32"	DN 800	1294	764	530	2400	LTCS/SS	-	1667	3D
40"	DN 1000	1510	865	645	3000	LTCS/SS	-	2564	3D

FLANGE RATING ANSI 150 IMPERIAL

Meter Size [inch]	Meter Size [mm]	Dimensions [inch]				Flow Cell Material	Weight Forged [lb]	Weight Welded [lb]	Length
		A	B	C	L				
4"	DN 100	21.4961	16.9685	6.0236	15.7480	LTCS/SS	154.3	-	4D
6"	DN 150	22.4409	16.9291	7.2441	17.7165	LTCS/SS	240.3	-	3D
8"	DN 200	24.6063	17.7953	8.0709	23.6220	LTCS/SS	383.6	-	3D
10"	DN 250	26.7717	18.7795	9.9213	29.5276	LTCS/SS	546.7	-	3D
12"	DN 300	29.4094	19.8819	11.0236	35.4331	LTCS/SS	822.3	-	3D
14"	DN 350	31.5748	21.0630	12.2047	41.3386	LTCS/SS	1100.1	-	3D
16"	DN 400	33.8189	22.0866	13.2283	47.2441	LTCS/SS	1355.8	-	3D
18"	DN 450	35.5512	23.0709	13.0315	53.1496	LTCS/SS	2070.1	-	3D
20"	DN 500	37.8346	24.0551	14.0157	59.0551	LTCS/SS	2226.7	-	3D
24"	DN 600	42.0866	26.0630	16.0236	70.8661	LTCS/SS	-	2610.3	3D
30"	DN 750	48.4252	29.0551	19.3701	88.5827	LTCS/SS	-	3126.2	3D
32"	DN 800	50.9449	30.0787	20.8661	94.4882	LTCS/SS	-	3675.1	3D
36"	DN 900	55.0787	32.0472	22.9921	106.2992	LTCS/SS	-	4623.1	3D
40"	DN 1000	59.4488	34.0551	25.3937	118.1102	LTCS/SS	-	5652.7	3D

FLANGE RATING ANSI 300 METRIC

Meter Size [inch]	Meter Size [mm]	Dimensions [mm]				Flow Cell Material	Weight Forged [kg]	Weight Welded [kg]	Length
		A	B	C	L				
4"	DN 100	558	431	153	400	LTCS/SS	80	-	4D
6"	DN 150	589	430	184	450	LTCS/SS	123	-	3D
8"	DN 200	643	452	205	600	LTCS/SS	191	-	3D
10"	DN 250	700	477	252	750	LTCS/SS	280	-	3D
12"	DN 300	765	505	280	900	LTCS/SS	413	-	3D
14"	DN 350	827	535	310	1050	LTCS/SS	569	-	3D
16"	DN 400	884	561	336	1200	LTCS/SS	698	-	3D
18"	DN 450	941	586	356	1350	LTCS/SS	1056	-	3D
20"	DN 500	999	611	388	1500	LTCS/SS	1130	-	3D
24"	DN 600	1120	662	457	1800	LTCS/SS	-	1408	3D
30"	DN 750	1284	738	546	2250	LTCS/SS	-	1718	3D
32"	DN 800	1339	764	575	2400	LTCS/SS	-	1968	3D
36"	DN 900	1449	814	635	2700	LTCS/SS	-	2467	3D
40"	DN 1000	1485	865	619	3000	LTCS/SS	-	2564	3D

FLANGE RATING ANSI 300 IMPERIAL

Meter Size [inch]	Meter Size [mm]	Dimensions [inch]				Flow Cell Material	Weight Forged [lb]	Weight Welded [lb]	Length
		A	B	C	L				
4"	DN 100	21.9685	16.9685	6.0236	15.7480	LTCS/SS	176.4	-	4D
6"	DN 150	23.1890	16.9291	7.2441	17.7165	LTCS/SS	271.2	-	3D
8"	DN 200	25.3150	17.7953	8.0709	23.6220	LTCS/SS	421.1	-	3D
10"	DN 250	27.5591	18.7795	9.9213	29.5276	LTCS/SS	617.3	-	3D
12"	DN 300	30.1181	19.8819	11.0236	35.4331	LTCS/SS	910.5	-	3D
14"	DN 350	32.5591	21.0630	12.2047	41.3386	LTCS/SS	1254.4	-	3D
16"	DN 400	34.8031	22.0866	13.2283	47.2441	LTCS/SS	1538.8	-	3D
18"	DN 450	37.0472	23.0709	14.0157	53.1496	LTCS/SS	2328.1	-	3D
20"	DN 500	39.3307	24.0551	15.2756	59.0551	LTCS/SS	2491.2	-	3D
24"	DN 600	44.0945	26.0630	17.9921	70.8661	LTCS/SS	-	3104.1	3D
30"	DN 750	50.5512	29.0551	21.4961	88.5827	LTCS/SS	-	3787.5	3D
32"	DN 800	52.7165	30.0787	22.6378	94.4882	LTCS/SS	-	4338.7	3D
36"	DN 900	57.0472	32.0472	25.0000	106.2992	LTCS/SS	-	5438.8	3D
40"	DN 1000	58.4646	34.0551	24.3701	118.1102	LTCS/SS	-	5652.7	3D

FLANGE RATING ANSI 600 METRIC

Meter Size [inch]	Meter Size [mm]	Dimensions [mm]				Flow Cell Material	Weight Forged [kg]	Weight Welded [kg]	Length
		A	B	C	L				
4"	DN 100	568	431	153	400	LTCS/SS	92	-	4D
6"	DN 150	608	430	185	500	LTCS/SS	150	-	3.33D
8"	DN 200	662	452	210	600	LTCS/SS	224	-	3D
10"	DN 250	731	477	254	750	LTCS/SS	347	-	3D
12"	DN 300	784	505	280	900	LTCS/SS	474	-	3D
14"	DN 350	837	535	310	1050	LTCS/SS	622	-	3D
16"	DN 400	903	561	343	1200	LTCS/SS	790	-	3D
18"	DN 450	957	586	372	1350	LTCS/SS	1185	-	3D
20"	DN 500	1018	611	407	1500	LTCS/SS	1300	-	3D
24"	DN 600	1132	662	470	1800	LTCS/SS	-	1629	3D
30"	DN 750	1304	738	565	2250	LTCS/SS	-	2009	3D
32"	DN 800	1361	764	597	2400	LTCS/SS	-	2266	3D
36"	DN 900	1472	814	657	2700	LTCS/SS	-	2825	3D
40"	DN 1000	1526	865	661	3000	LTCS/SS	-	3119	3D

FLANGE RATING ANSI 600 IMPERIAL

Meter Size [inch]	Meter Size [mm]	Dimensions [inch]				Flow Cell Material	Weight Forged [lb]	Weight Welded [lb]	Length
		A	B	C	L				
4"	DN 100	22.3622	16.9685	6.0236	15.7480	LTCS/SS	202.8	-	4D
6"	DN 150	23.9370	16.9291	7.2441	19.6850	LTCS/SS	330.7	-	3.33D
8"	DN 200	26.0630	17.7953	8.2677	23.6220	LTCS/SS	493.8	-	3D
10"	DN 250	28.7795	18.7795	10.0000	29.5276	LTCS/SS	765	-	3D
12"	DN 300	30.8661	19.8819	11.0236	35.4331	LTCS/SS	1045.0	-	3D
14"	DN 350	32.9528	21.0630	12.2047	41.3386	LTCS/SS	1371.3	-	3D
16"	DN 400	35.5512	22.0866	13.5039	47.2441	LTCS/SS	1741.7	-	3D
18"	DN 450	37.6772	23.0709	14.6457	53.1496	LTCS/SS	2612.5	-	3D
20"	DN 500	40.0787	24.0551	16.0236	59.0551	LTCS/SS	2866.0	-	3D
24"	DN 600	44.5669	26.0630	18.5039	70.8661	LTCS/SS	-	3591.3	3D
30"	DN 750	51.3386	29.0551	22.2441	88.5827	LTCS/SS	-	4429.1	3D
32"	DN 800	53.5827	30.0787	23.5039	94.4882	LTCS/SS	-	4995.7	3D
36"	DN 900	57.9528	32.0472	25.8661	106.2992	LTCS/SS	-	6228.1	3D
40"	DN 1000	60.0787	34.0551	26.0236	118.1102	LTCS/SS	-	6876.2	3D

FLANGE RATING ANSI 900 METRIC

Meter Size [inch]	Meter Size [mm]	Dimensions [mm]				Flow Cell Material	Weight Forged [kg]	Weight Welded [kg]	Length
		A	B	C	L				
4"	DN 100	576	431	153	400	LTCS/SS	99	-	4D
6"	DN 150	620	430	190	600	LTCS/SS	183	-	4D
8"	DN 200	687	452	235	800	LTCS/SS	306	-	4D
10"	DN 250	750	477	273	750	LTCS/SS	393	-	3D
12"	DN 300	810	505	305	900	LTCS/SS	556	-	3D
14"	DN 350	856	535	321	1050	LTCS/SS	706	-	3D
16"	DN 400	913	561	323	1200	LTCS/SS	862	-	3D
18"	DN 450	980	586	394	1350	LTCS/SS	1320	-	3D
20"	DN 500	1040	611	429	1500	LTCS/SS	1450	-	3D
24"	DN 600	1183	662	521	1800	LTCS/SS	-	2059	3D
30"	DN 750	1354	738	616	2250	LTCS/SS	-	2646	3D
32"	DN 800	1421	764	657	2400	LTCS/SS	-	3126	3D
36"	DN 900	1545	814	731	2700	LTCS/SS	-	4060	3D
40"	DN 1000	1621	865	756	3000	LTCS/SS	-	4533	3D

FLANGE RATING ANSI 900 IMPERIAL

Meter Size [inch]	Meter Size [mm]	Dimensions [inch]				Flow Cell Material	Weight Forged [lb]	Weight Welded [lb]	Length
		A	B	C	L				
4"	DN 100	22.6772	16.9685	6.0236	15.7480	LTCS/SS	218.3	-	4D
6"	DN 150	24.4094	16.9291	7.4803	23.6220	LTCS/SS	403.4	-	4D
8"	DN 200	27.0472	17.7953	9.2520	31.4961	LTCS/SS	674.6	-	4D
10"	DN 250	29.5276	18.7795	10.7480	29.5276	LTCS/SS	866.4	-	3D
12"	DN 300	31.8898	19.8819	12.0079	35.4331	LTCS/SS	1225.8	-	3D
14"	DN 350	33.7008	21.0630	12.6378	41.3386	LTCS/SS	1556.5	-	3D
16"	DN 400	35.9449	22.0866	12.7165	47.2441	LTCS/SS	1900.4	-	3D
18"	DN 450	38.5827	23.0709	15.5118	53.1496	LTCS/SS	2910.1	-	3D
20"	DN 500	40.9449	24.0551	16.8898	59.0551	LTCS/SS	3196.7	-	3D
24"	DN 600	46.5748	26.0630	20.5118	70.8661	LTCS/SS	-	4539.3	3D
30"	DN 750	53.3071	29.0551	24.2520	88.5827	LTCS/SS	-	5833.4	3D
32"	DN 800	55.9449	30.0787	25.8661	94.4882	LTCS/SS	-	6891.7	3D
36"	DN 900	60.8268	32.0472	28.7795	106.2992	LTCS/SS	-	8950.8	3D
40"	DN 1000	63.8189	34.0551	29.7638	118.1102	LTCS/SS	-	9993.6	3D


FLANGE RATING ANSI 1500 METRIC

Meter Size [inch]	Meter Size [mm]	Dimensions [mm]				Flow Cell Material	Weight Forged [kg]	Weight Welded [kg]	Length
		A	B	C	L				
4"	DN 1500	586	431	155	500	LTCS/SS	124	-	5D
6"	DN 1500	628	430	198	600	LTCS/SS	219	-	4D
8"	DN 1500	695	452	243	800	LTCS/SS	366	-	4D
10"	DN 1500	770	477	293	1000	LTCS/SS	545	-	4D
12"	DN 1500	842	523	338	1200	LTCS/SS	822	-	4D
14"	DN 1500	898	543	375	1400	LTCS/SS	1090	-	4D
16"	DN 1500	956	561	413	1600	LTCS/SS	1470	-	4D
18"	DN 1500	1033	576	458	1800	LTCS/SS	2210	-	4D
20"	DN 1500	1090	597	493	2000	LTCS/SS	2470	-	4D
24"	DN 1500	1247	662	585	2400	LTCS/SS	-	3600	4D

FLANGE RATING ANSI 1500 IMPERIAL

Meter Size [inch]	Meter Size [mm]	Dimensions [inch]				Flow Cell Material	Weight Forged [lb]	Weight Welded [lb]	Length
		A	B	C	L				
4"	DN 1500	23.07	16.97	6.102	19.69	LTCS/SS	273.4	-	5D
6"	DN 1500	24.72	16.93	7.795	23.62	LTCS/SS	482.8	-	4D
8"	DN 1500	27.36	17.8	9.567	31.5	LTCS/SS	806.9	-	4D
10"	DN 1500	30.31	18.78	11.54	39.37	LTCS/SS	1201.5	-	4D
12"	DN 1500	33.15	19.88	13.31	47.24	LTCS/SS	1812.2	-	4D
14"	DN 1500	35.35	20.59	14.76	55.12	LTCS/SS	2403.0	-	4D
16"	DN 1500	37.64	21.38	16.26	62.99	LTCS/SS	3240.8	-	4D
18"	DN 1500	40.67	22.68	18.03	70.87	LTCS/SS	4872.2	-	4D
20"	DN 1500	42.91	23.5	19.41	78.74	LTCS/SS	5445.4	-	4D
24"	DN 1500	49.09	26.06	23.03	94.49	LTCS/SS	-	7936.6	4D

Q.Sonic^{max} Technical Specifications

TECHNICAL DATA	
Measurement Principle	Ultrasonic transit time measurement
Sizes	4" to 36"—larger sizes available upon request (DN 100 to DN 900)
Pressure range	2 bar (g) (29 psig) to 250 bar (g) (3625 psig); minimum pressure depending on size and gas composition
Process Temperature Ranges ⁴⁾	Standard: -40°C to +85°C (-40°F to +185°F) Extended: -50°C to +85°C (-58°F to +185°F) MID: -40°C to +85°C (-40°F to +185°F)
Ambient Temperature Range ⁴⁾	Standard: -40°C to +70°C (-40°F to +158°F) Extended: -50°C to +70°C (-58°F to +158°F) MID: -40°C to +55°C (-40°F to +131°F)
Repeatability	0.05% ¹⁾
Typical Uncertainty	0.5% of reading after dry calibration ²⁾ 0.2% of reading after flow calibration ²⁾ 0.1% of reading after flow calibration and linearization ²⁾
Body Materials	Low-temperature carbon steel ≤ 16": ASTM A350-LF2 Cl.1 ≥ 18": ASTM A333 grade 6/ASTM A350-LF2 Cl.1 Stainless steel ≤ 16": ASTM A182-F316 ≥ 18": ASTM A312-TP316L/ASTM A182-F316L Other materials on request
Material Certificate	EN 10204 3.1 (3.2 on request)
Body Construction Details	≤ 16": reduced bore, tapering angle 7° ≥ 18": full bore
Pressure Reference Points	½" NPT (G½ on request)
Electronic Enclosure Material	Cast aluminium alloy. Optional stainless steel.
Power Supply	Nominal 24 V DC (18-30 V DC), 10-20 W (depending on installed optional cards)
Local Display	GUI, 4.3" (10.9 cm) widescreen graphical colour display with 7 capacitive soft keys (touch), LEDs for power and status
Interfaces	- 2 serial ports (RS 232/485 configurable) - 1 Ethernet port/high-speed VDSL (VDSL option replaces Ethernet port) - 2 frequency outputs, 0 to 5 kHz - 2 digital outputs ³⁾ - 2 analogue outputs ³⁾ - 1 USB port (device, for service purpose only)
Communications Protocol	- Modbus (ASCII, RTU, TCP/IP) - UNIFORM - MMS (Manufacturing Message Specification) - Built-in web server
Metrological Approval	MID T10586 (optional)
MID Accuracy	Class 1.0
OIML accuracy class	Class 1.0 with straight inlet spool of 10D Class 0.5: with straight inlet spool of 10D and flow conditioner Class 0.5: with straight inlet spool of 5D
Hazardous Area Approvals	ATEX:  II 2 G Ex d ia [ia] IIB+H2 T6 Gb IECEX: Ex d ia [ia] IIB+H2 T6 Gb FM: Class I, Division 1, Group A to D T6 CSA: Class I, Division 1, Groups B, C and D T6; Ex d ia [ia] IIB+H2 T6
Ingress Protection	IP 66/NEMA Type 4X

¹⁾ Q_t to Q_{max}

²⁾ Q_t to Q_{max} with straight inlet/outlet spool of 10D/3D

³⁾ Analogue outputs and digital outputs sharing the terminal clamps

⁴⁾ Ranges: subject to application and (hazardous area) approval

For more information

To learn more about Honeywell's Integrated Gas Solutions, visit www.honeywellprocess.com or contact your Honeywell account manager.

Honeywell Process Solutions

Honeywell House, Arlington Business Park
Bracknell, Berkshire, England RG12 1EB

1250 West Sam Houston Parkway South
Houston, TX 77042 USA Tel: +1 832 252 3000

33F, Tower A, Shanghai City Centre 100 Zunyi
Road, Shanghai, China 200051
www.honeywellprocess.com

Germany Elster GmbH Steinern Straße 19-21
55252 Mainz-Kastel
www.elster-instromet.com

Elster ist eine registrierte Marke
der Honeywell International, Inc.
BR-19-54-ENG | 11/19
© 2019 Honeywell International Inc.

THE
FUTURE
IS
WHAT
WE
MAKE IT

Honeywell