



Temperature Transmitter for Immersed Pumps (Framo Type)

The T901Px0PI is specially designed for mounting directly on the upper flange of immersed pumps. Its compact size enables easy installation without the need for adapting parts, regardless of the type of pump. Cable is connected via a flexible hose for insensitivity to heavy seas.

Its very robust 316L stainless steel temperature probes (from one to three) provide high-accuracy liquid temperature measurements enabling the computer to correct for density parameters.

T901Px0PI - Technical Specifications

Technical Data

TEMPERATURE

Temperature sensors: PT100Ω at 0°C (3 wires)

Accuracy: IEC 751 class B

Range: - 46°C to +250°C

GENERAL

Intrinsically safe: IECEx, ATEX.
II 1 G D
Ex ia IIC or IIB T6 Ga
Ex ia IIIC T80°C Da IP66/67

Operating ambient temperature: -35°C to + 70°C

Storage temperature: -55°C to +85°C

Protection class: IP66/67

Special Features

Material:

- Housing: Stainless steel 316L
 - Temperature sensor: Stainless steel 316L
- Standard lengths: 1m; 2m; 3m; 5m; 8m; 15m.....

Available types:

- T901-P10 PI: one probe
 - T901-P20 PI: two probes
 - T901-P30 PI: three probes
- Approved by major classification societies

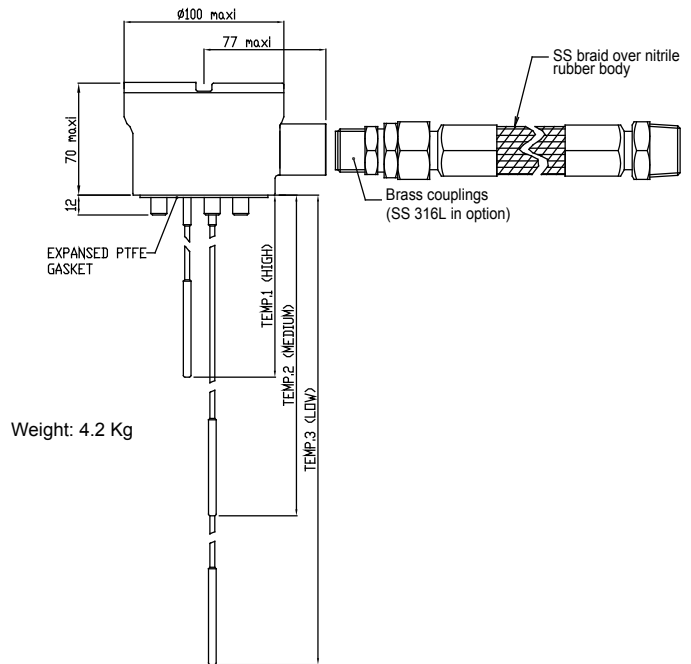
Technical Documentation

Technical manual: MT5061

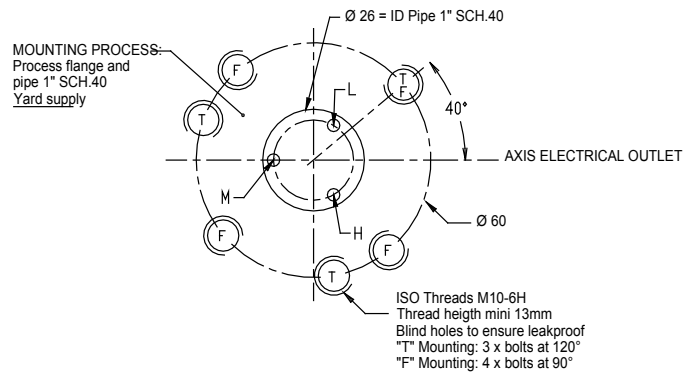
Installation manual: MI5061

Maintenance manual: MM5016

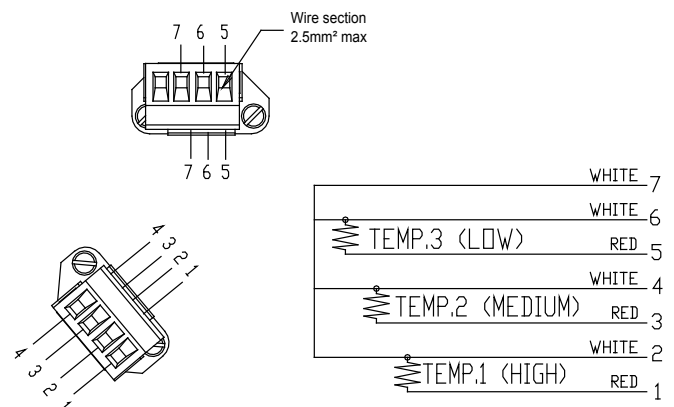
Mechanical Fittings & Dimensions



Process Connection



Electrical Connection



Honeywell Marine SAS

9, rue Isaac Newton
ZA Port Sec Nord, Esprit 1
18000 Bourges – France
Phone : + 33 (0) 248 237 901
Fax : + 33 (0) 248 237 903
E-Mail: contact.marine@honeywell.com
www.honeywellmarine.com

HM-11-35-ENG
February 2013
© 2010 Honeywell International Inc.

Honeywell