

## Product Information Note

# Movement Monitor

## Material Movement Monitoring Solution



Honeywell's Profit<sup>®</sup> Movement Management - Movement Monitor (MM) enables operations personnel to accurately plan and monitor material movements within oil refineries, tank farms and terminals. Movement Monitor ensures that movement information is comprehensively and accurately recorded and monitored for safe and effective operation.

### Benefits Include:

- **Reduced losses** from tank farm incidents such as spills and product contamination because of increased monitoring capabilities and alarming.
- **Improved inventory reconciliation** by monitoring movements to ensure that all changes in inventory position are accounted for and logged.
- **Fewer material downgrades and shipping errors** by tracking tank composition to ensure that material can continue to be shipped.
- **Elimination of data re-entry and errors** by collecting data from various systems, presenting to operator in a common user interface and storing as a common record for re-use.
- **Increased operator effectiveness** by automating the movement planning and logging activities and ensuring that order information and completed movement data is accurately transferred.

### Key Capabilities

Profit<sup>®</sup> Movement Management - Movement Monitor is part of Profit Movement Suite within the Profit Blending and Movement (PBM) Solution and is built on the foundation of the Profit Inventory Monitor application. Movement Monitor provides the following key capabilities in addition to those of Profit Inventory Monitor that support movement monitoring for improved safety, reliability, sustainability and profitability of facilities:

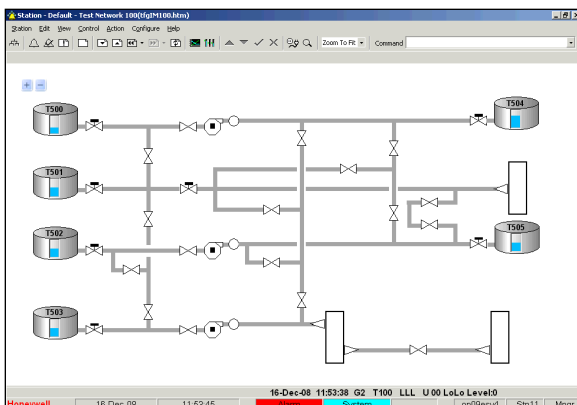
- Movement Planning and Logging
- Movement Monitoring
- Tank Quality Integration
- Movement Alarming

These key capabilities are described below:

### Movement Planning and Logging

Movement activities are defined in Movement Monitor as movement orders. The process of receiving orders from business and scheduling applications, setting up new orders, modifying existing orders, logging movement information and exposing that information to business and reconciliation applications is collectively referred to as movement planning and logging, or order management.

Movement orders may be remotely defined and entered through business and scheduling applications, or may be entered directly into the Order Detail display shown below. Movement Monitor performs order management (movement planning and logging) through the following functions:



Movement Monitor uses Tank Farm Graphic (TFG) displays for visual representation of tank information including level, flow and alarms

- Receives movement orders for scheduled operations from business and scheduling systems
- Provides the capability to define orders locally or edit received orders
- Passes requested order requirements to the system's movement monitoring functions or to a third party Loading System for real time monitoring of movement operations
- Receives the completed result data, such as loaded product volume, from the real-time movement
- Provides a mechanism for plant personnel to correct and/or approve the completed result data
- Makes the completed and corrected result data available for shipping document printing and for transmission to business systems
- Makes significant task event data available to other Level 4 applications
- Boundary point envelope orders can be set up to string together a set of tasks that operate on the boundary point, so that inter-task swings can be created

- Change in tank volume
- Tank stop gauge
- Pump or valve status
- Flow start or stop
- Another movement's state

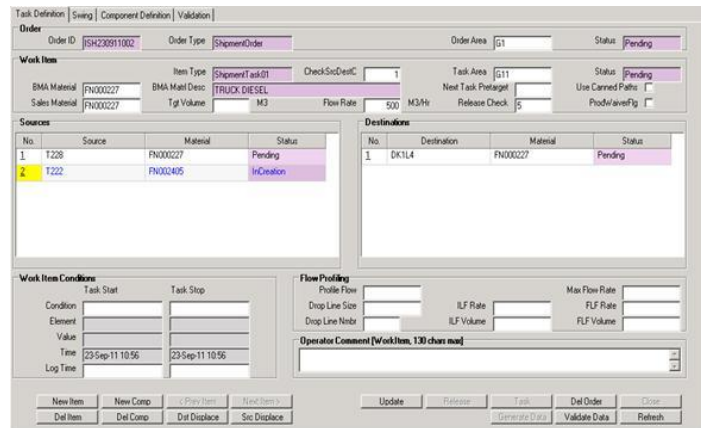
**Tank Quality Integration**

Tank Quality Integration (TQI) is a feature that tracks product property changes as a result of movement operations for use as part of material certification.

**Movement Alarming**

The movement alarming functions monitor movements for several alarm and event conditions, and can provide the operator notification of upcoming events or alarms in advance, as well as notification when the event or alarm occurs. Experion Station displays are used to view movement status and progress. Alarm types include:

- Unexpected and Fail to Stop
- 5 and 30 minutes to Start, and Start Condition Met
- 5 and 30 minutes to Stop, and Stop Condition Met
- 5 and 30 minutes to Swing, and Swing Condition Met
- Flow Started and Flow Stopped
- Wrong Direction, No Movement and Unexpected Movement



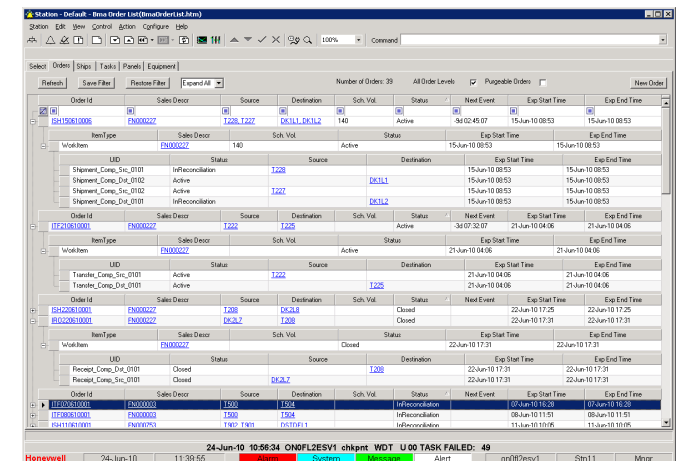
Movement Monitor's Order Detail Display enables operators to view, edit or create movement orders

**Movement Monitoring**

The movement monitoring function helps an operator manage, prioritize and monitor material movement activities in refinery off-sites, tank farms or terminals. Material movements may be set up to have one or multiple material sources, and one or multiple material destinations. Material movement sources and destinations may include tanks, docks, blend headers and on-site units. Conditions that may be monitored include:

- Movement target volume
- Time and date
- Tank volume, level, volume or limit

The movement monitoring and alarming functions may generate data collected on a volumetric or mass basis. Data from a variety of sources, including docks, tanks, pipelines and meters is shown in a common interface. Through creation to completion of a movement, snapshot information is collected at intervals, events or on demand, and is saved.



Movement Monitor's Order List provides overall monitoring of movements and an overview of the movement order details

### Movement Monitor on Experion Platform

Movement Monitor is built on the Experion® PKS platform for distributed control of the field equipment used in blending and movement operations. Experion graphics are used as the basis for the Movement Monitor user interface, and Movement Monitor makes use of standard Honeywell Experion PKS functions such as messages, logging, as well as alarming and event journaling.

### Movement Monitor on non-Experion Platforms

For non-Experion DCS, Movement Monitor integrates easily through OPC connectivity between Movement Monitor's Experion Application Server and the non-Experion DCS.

### Integration with Honeywell Applications

Movement Monitor is a key component within Honeywell's Profit Movement Suite, which is part of the Profit Blending and Movement Solution. Other components of the Profit Movement Suite are:

- **Profit Inventory Monitor** – Tank inventory monitoring, alarming and logging.
- **Profit Movement Management - Movement Control** – Movement set up and control including automated path selection, line-up and movement execution.

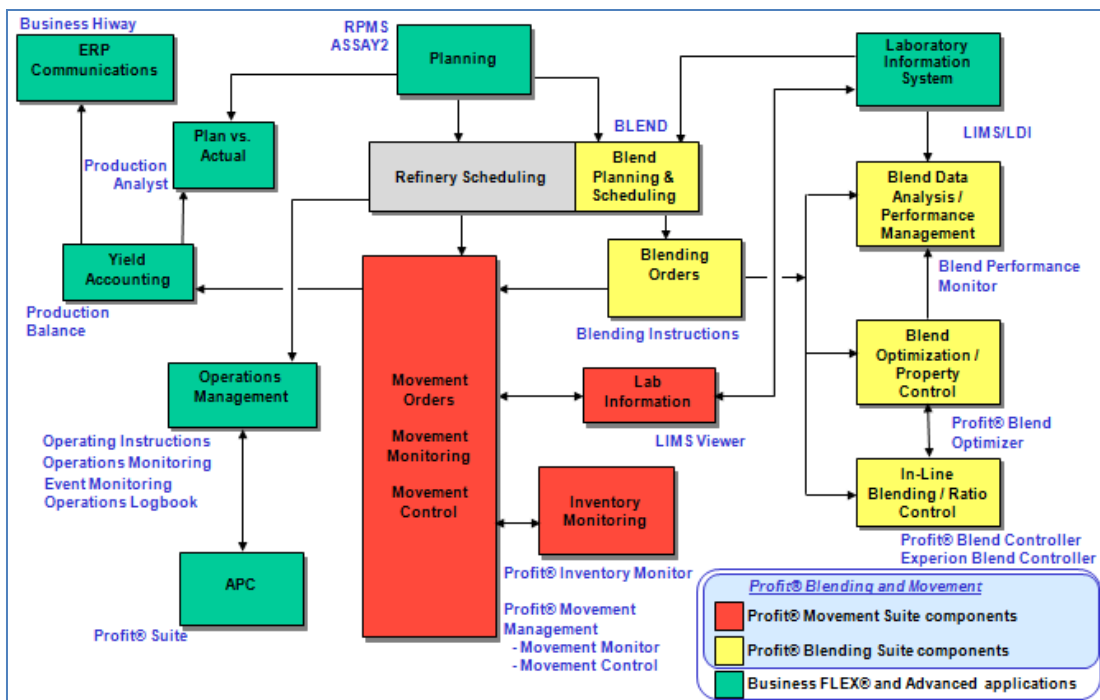
Together, these components form Honeywell's Profit Movement Suite, a set of integrated tools for operations staff to accept, create and validate material movement plans, and control and track movements and inventories.

The relationships between Movement Monitor, the Profit Blending and Movement Solution, and other Honeywell applications are shown below. **Profit Inventory Monitor** provides inventory data, alarms and tanks status to the **Movement Control** application and to other applications. **Movement Control** provides the automated line-up and execution of movements, accounting for material compatibility, equipment availability, etc.

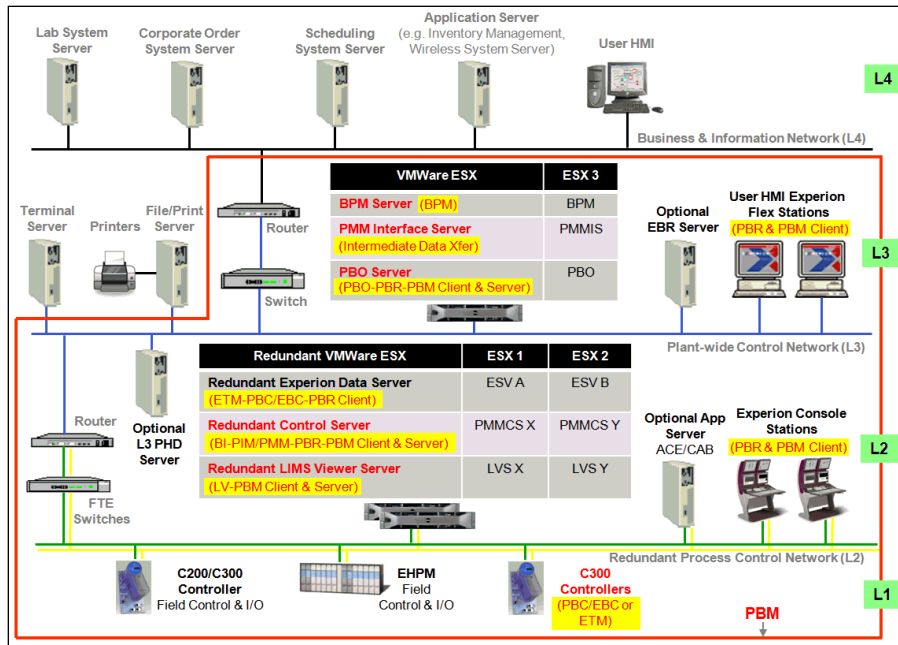
When **Movement Monitor** is implemented, planned movements, or movement orders, may be transferred to **Movement Monitor** from **Blending Instructions** or planning and scheduling applications like Honeywell's **BLEND** application. Movement and inventory data may be transferred to oil accounting and balance applications like Honeywell's **Production Balance** via XML files.

When **Movement Monitor** is used with Honeywell's **Profit Blend Controller** (PBC) application for control of blends, component volumes and flows may be uploaded from **PBC** to **Movement Monitor** for monitoring blend movements.

When **Movement Monitor** is used with **Movement Control**, **Movement Control** handles the movement set up and control including automated path selection accounting for material compatibility, appropriate isolation, etc., as well as line-up and movement execution.



Movement Monitor is a key component of Honeywell's Profit Movement Suite and integrates with other Honeywell applications



Sample Profit Blending and Movement System Architecture

**System Requirements and Architecture**

As described earlier, Movement Monitor leverages the Experion® PKS platform. Contact Honeywell for the latest list of supported Experion PKS releases. The illustration above shows a sample PBM system architecture where Movement Monitor is installed in the context of a combined Experion PKS and business information system in a virtualized environment.

Movement Monitor is installed on the PMM Control Server as illustrated. This server runs Windows Server 2008 Standard Edition (32-bit) with SP2 or Windows Server 2008 R2 Standard Edition (64-bit) with SP1, depending on the version of Experion supported. The MA Control server typically requires Intel Xeon X5650 2.66 GHz Quad-Core or faster processors, with at least 4GB RAM and minimum 146 GB hard disk space. For specific

**For More Information**

Learn more about how Honeywell’s Movement Monitor software can improve your material movement operations, visit our website [www.honeywellprocess.com/software](http://www.honeywellprocess.com/software) or contact your Honeywell account manager.

**Honeywell Process Solutions**

Honeywell  
 1250 West Sam Houston Parkway South  
 Houston, TX 77042  
  
 Honeywell House, Arlington Business Park  
 Bracknell, Berkshire, England RG12 1EB UK  
  
 Shanghai City Centre, 100 Junyi Road  
 Shanghai, China 20051

[www.honeywellprocess.com](http://www.honeywellprocess.com)

Honeywell computer platforms and supported software that meet these requirements, please contact your Honeywell representative.

**Support Services**

This product comes with worldwide, premium support services through our Benefits Guardianship Program (BGP). BGP is designed to help our customers to improve and extend the usage of their software and the benefits they deliver, ultimately maintaining and safeguarding their advanced software.

**Training Services**

Training courses addressing Movement Monitor implementation, use and maintenance are available through Honeywell’s Automation College ([www.automationcollege.com](http://www.automationcollege.com)). On-site courses are also offered upon request.

Experion®, Business Flex®, and Profit® are registered trademarks, and Profit Suite is a trademark of Honeywell International Inc.

