

Installing the Terminal Block Module

Instruction sheet for SmartLine Transmitters:

ST 700 and ST 800 Pressure Transmitters

SLG 700 Level Transmitters

Document Number: 34-ST-33-64

Effective Date: 2/22/2017

Supersedes: 12/12/2016



Please take appropriate steps to avoid ESD damage when handling the Terminal Block assembly

Tools required

For this item	Use this tool
M3 set screw for end cap removal	1.5 mm Allen key
Terminal block module retaining screws	#1 Philips or slotted screwdriver
Transmitter re-assembly	Parker Super O-ring lubricant or equivalent
Field upgrades	Pliers

Step – 1: Turn OFF transmitter power.

Step – 2: Loosen the end cap locking screw and unscrew the end cap from the field wiring side of the transmitter housing.

Step – 3: Remove the loop wires from the terminal block assembly.

Step – 4: Loosen the two retaining screws, and carefully pull the terminal block assembly from the field wiring compartment. Pliers may be used on the vertical tab on the terminal block assembly to assist in the module removal (Refer to [Figure 1](#)).

Step – 5: Apply the appropriate communication protocol label supplied to the terminal block assembly, as shown in [Figure 1](#) View A.

Step – 6: Install the terminal block assembly by aligning the two ribs on the upper portion of the terminal block assembly with the ground connection rib in the housing and carefully push the terminal block assembly into the field wiring compartment until fully seated against the two mounting bosses.

Step – 7: Tighten the two terminal block assembly screws.

Step – 8: Reconnect the loop wiring.

Step – 9: (Steps 9 & 11 required for field upgrades only*)

Select the proper terminal block upgrade kit label from the label strip provided and adhere the label to the inside of field wiring end cap.

***NOTE: Field Upgrades are not applicable to ST 700 Basic model transmitters.**

Refer to Table 1 to identify ST 700 Basic and Standard models.

Step – 10: Apply Parker Super O-ring Lubricant or equivalent to the end cap O-ring before installing the end cap. Reinstall the end cap and tighten the end cap locking screw.

Step – 11: Install external upgrade nameplate (i.e. DEVICE MODIFIED.....) on outside of housing as shown in [Figure 1](#)).

Step – 12: Turn ON transmitter power.

Table 1 – ST 700 Standard and Basic model types

Transmitter Configuration	Smart Line Pressure ST700	
	Standard Models	Basic Models
Dual head DP	STD720/730/770	STD725/735/775
Dual head GP	STG730/740/770	STG735/745/775
Inline GP	STG73L/74L/77L/78L/79L	STG73S/74S/77S/78S/79S
Inline flush GP	STG73P	STG73SP
Dual head AP	STA722/740	STA725/745
Inline AP	STA72L/74L/77L	STA72S/74S/77S
Flush flanged liquid level	STF724/732	STF725/735
Pseudo flanged liquid level	STF72F/73F	STF72P/73P
Remote seal DP/GP	STR73D/74G	STR735D/745G

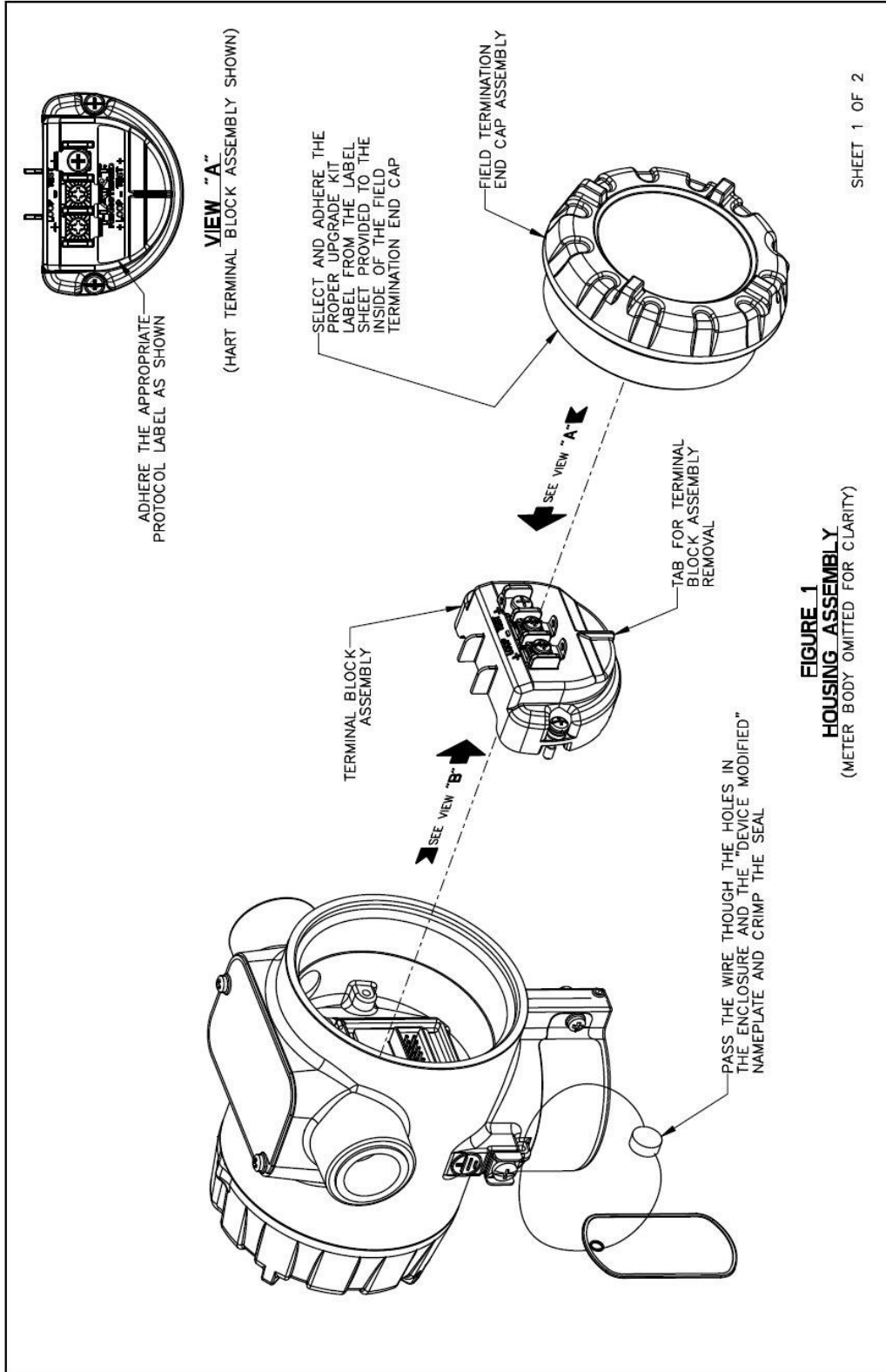


Figure 1 – Sheet 1 of 2

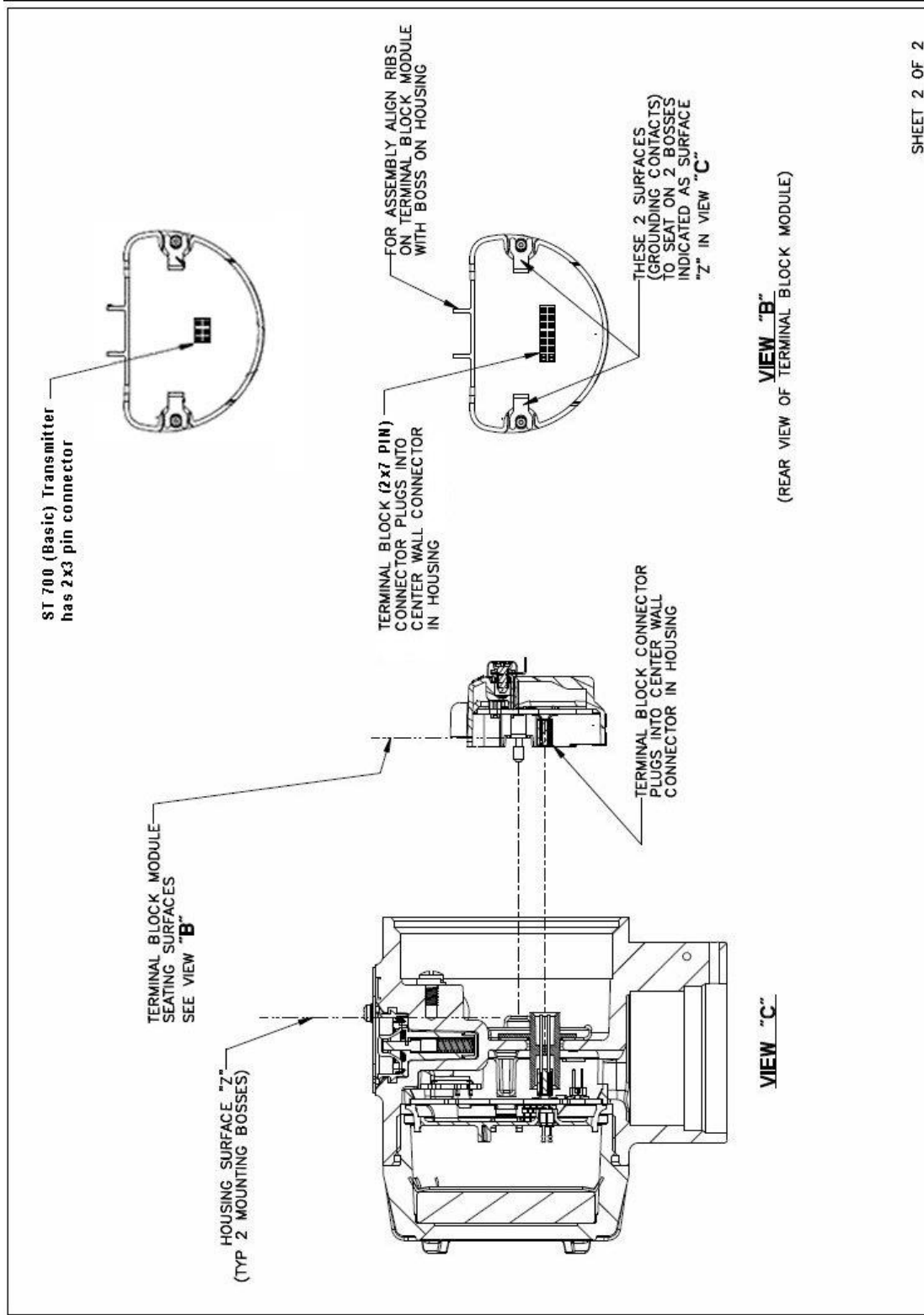


Figure 1 – Sheet 2

Sales and Service

For application assistance, current specifications, pricing, or name of the nearest Authorized Distributor, contact one of the offices below.

ASIA PACIFIC

Honeywell Process Solutions,
(TAC) hfs-tac-support@honeywell.com

Australia

Honeywell Limited
Phone: +(61) 7-3846 1255
FAX: +(61) 7-3840 6481
Toll Free 1300-36-39-36
Toll Free Fax:
1300-36-04-70

China – PRC - Shanghai

Honeywell China Inc.
Phone: (86-21) 5257-4568
Fax: (86-21) 6237-2826

Singapore

Honeywell Pte Ltd.
Phone: +(65) 6580 3278
Fax: +(65) 6445-3033

South Korea

Honeywell Korea Co Ltd
Phone: +(822) 799 6114
Fax: +(822) 792 9015

EMEA

Honeywell Process Solutions,
Phone: + 80012026455 or
+44 (0)1344 656000

Email: (Sales)

FP-Sales-Apps@Honeywell.com

or

(TAC)

hfs-tac-support@honeywell.com

AMERICAS

Honeywell Process Solutions,
Phone: (TAC) 1-800-423-9883 or
215/641-3610
(Sales) 1-800-343-0228

Email: (Sales)

FP-Sales-Apps@Honeywell.com

or

(TAC)

hfs-tac-support@honeywell.com

For more information

To learn more about SmartLine Transmitters,
visit www.honeywellprocess.com

Or contact your Honeywell Account Manager

Process Solutions

Honeywell
1250 W Sam Houston Pkwy S
Houston, USA, TX 77042

Honeywell Control Systems Ltd
Honeywell House, Skimped Hill Lane
Bracknell, England, RG12 1EB

Shanghai City Centre, 100 Jungi Road
Shanghai, China 20061

www.honeywellprocess.com



34-ST-33-64
February 2017

©2017 Honeywell International Inc.