

# 24V External Power Module Replacement

---

## Instruction Sheet for Smartline Wireless Transmitters

**Document No:** 34-SW-33-01  
**Effective Date:** 17 August 2018

---

<u>Order Part No.</u>	<u>Qty.</u>	<u>Description</u>
50136118-501	1	24 VDC Power Supply Module



24V power module must be replaced only by a trained service technician. All local electrical codes, and relevant service and repair regulations must be observed.



Risk of death or serious injury by explosion. Do not open transmitter enclosure when an explosive atmosphere is present.

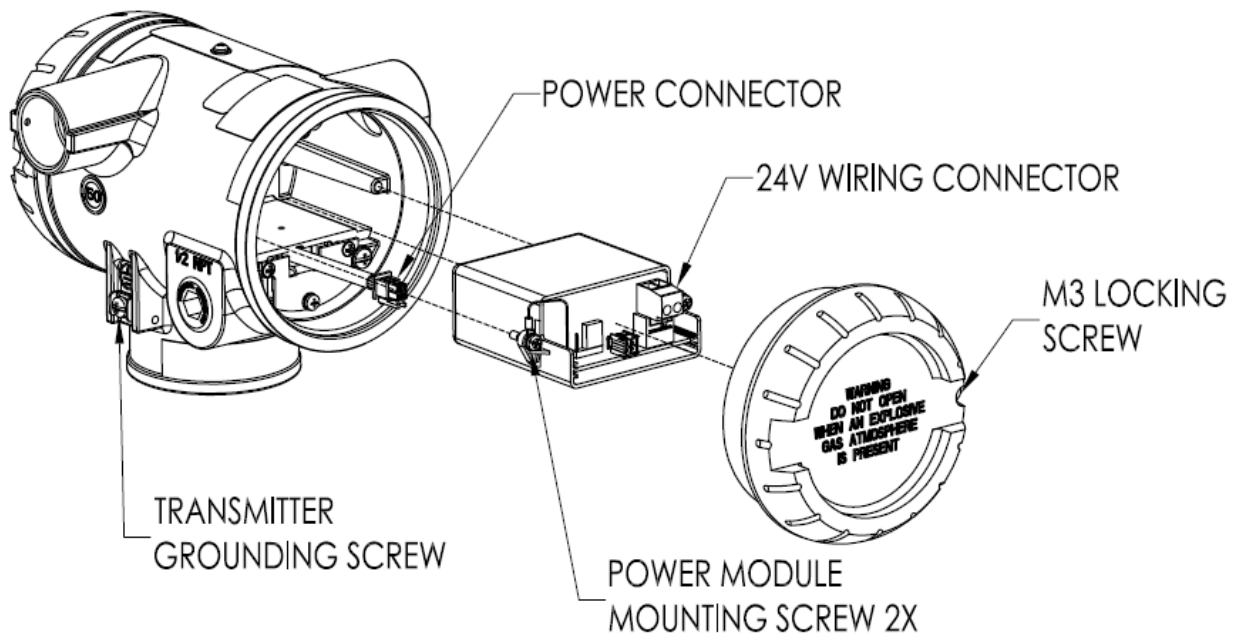
Depending on your installation, transmitter input wiring sources may contain high voltage. Disconnect all power from transmitter input sources before accessing the 24V power module. Failure to do so could result in death or serious injury if the input terminals or wires are accidentally touched.

### When to replace

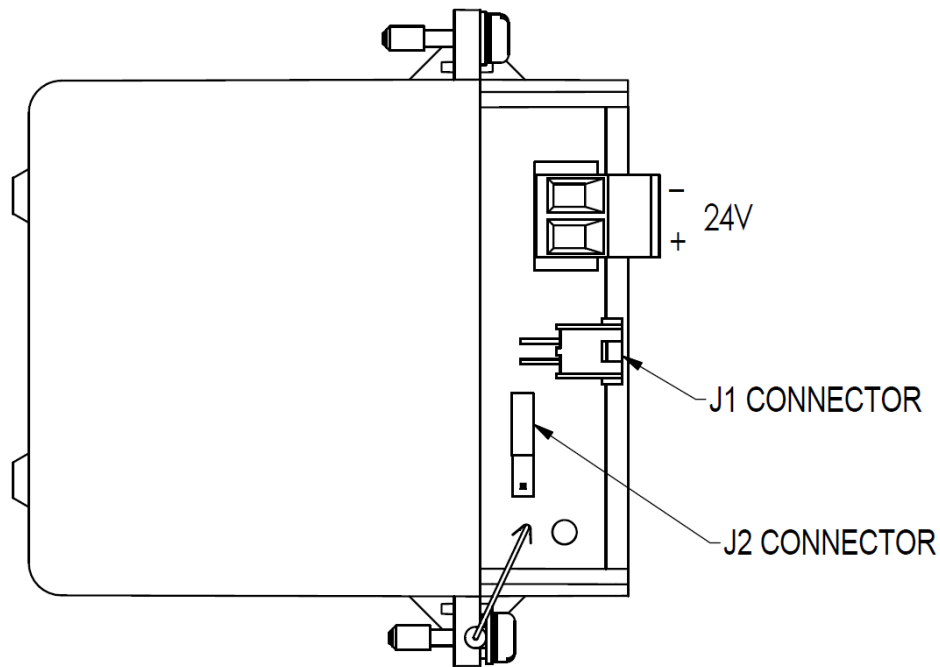
When the transmitter displays LOW PWR and external power is present and sufficient. When the external power is removed to allow replacement of the module, all transmitter data is retained in the transmitter's nonvolatile memory.

## Tools required

Use this tool	For this item
#1 Phillips Screwdriver or 1/8" Slotted Screwdriver	M3 set screws for separating 24V Power Module from Transmitter Housing
Torque Screwdriver	M3 set screws for 24V Power Module installation
1.5 mm hex key	M3 set screw for end cap removal and installation



**Figure 1. 24V Power Supply Module Assembly**



**Figure 2, 24V External Power Module**

**Step – 1:** Loosen the M3 locking set screw on the end-cap (opposite end from display). Unscrew and remove the end cap.

**Step – 2:** Using thumb and forefinger squeeze the power connector at top and bottom to disengage the locking mechanism then pull to disconnect.

**Step – 3:** Unplug the 24V wiring connector from the module.

**Step – 4:** Loosen the two 24V power module retaining screws. The screws are captive.

**Step – 5:** Pull the 24V power module out of the transmitter.

**Step – 6:** The replacement 24V Power Modules are supplied with the “J2” Jumper in the NON-RTD position. For 24V Transmitters utilizing RTD sensors, move the “J2” jumper to the “RTD” position on the power module. (Ref.Figure 2)

**Step – 7:** Insert the replacement 24V power module into the transmitter. Reattach the screws and tighten to 0,4 – 0,6 N-M (3.5 – 5.3 Lb-in).

Re-connect power and 24V connectors

Honeywell recommends lubricating the end cap O-ring with a Silicone Grease such as Dow Corning #55 or equivalent before replacing the end cap.

**Step – 8:** Screw the end cap back on and tighten the M3 locking screw.

**Step – 9:** Dispose of the Power Module according to local regulations.

## Sales and Service

For application assistance, current specifications, pricing, or name of the nearest Authorized Distributor, contact one of the offices below.

### ASIA PACIFIC

Honeywell Process Solutions,  
Phone: + 800 12026455 or  
+44 (0) 1202645583  
(TAC) [hfs-tac-support@honeywell.com](mailto:hfs-tac-support@honeywell.com)

#### Australia

Honeywell Limited  
Phone: +(61) 7-3846 1255  
FAX: +(61) 7-3840 6481  
Toll Free 1300-36-39-36  
Toll Free Fax:  
1300-36-04-70

#### China – PRC - Shanghai

Honeywell China Inc.  
Phone: (86-21) 5257-4568  
Fax: (86-21) 6237-2826

#### Singapore

Honeywell Pte Ltd.  
Phone: +(65) 6580 3278  
Fax: +(65) 6445-3033

#### South Korea

Honeywell Korea Co Ltd  
Phone: +(822) 799 6114  
Fax: +(822) 792 9015

### EMEA

Honeywell Process Solutions,  
Phone: + 800 12026455 or  
+44 (0) 1202645583

Email: (Sales)

[FP-Sales-Apps@Honeywell.com](mailto:FP-Sales-Apps@Honeywell.com)

or

(TAC)

[hfs-tac-support@honeywell.com](mailto:hfs-tac-support@honeywell.com)

### AMERICAS

Honeywell Process Solutions,  
Phone: (TAC) (800) 423-9883  
or (215) 641-3610  
(Sales) 1-800-343-0228

Email: (Sales)

[FP-Sales-Apps@Honeywell.com](mailto:FP-Sales-Apps@Honeywell.com)

or

(TAC)

[hfs-tac-support@honeywell.com](mailto:hfs-tac-support@honeywell.com)

### For more information

To learn more about SmartLine Transmitters,  
visit [www.honeywellprocess.com](http://www.honeywellprocess.com)  
Or contact your Honeywell Account Manager

### Process Solutions

Honeywell  
1250 W Sam Houston Pkwy S  
Houston, USA, TX 77042

Honeywell Control Systems Ltd  
Honeywell House, Skimped Hill Lane  
Bracknell, England, RG12 1EB

Shanghai City Centre, 100 Jungi Road  
Shanghai, China 20061

[www.honeywellprocess.com](http://www.honeywellprocess.com)



34-SW-33-01 Rev.1  
August 2018

©2018 Honeywell International Inc.