

Replacement of EU meter with Standard Display

Instruction sheet for SmartLine STT700 Temperature Transmitters

Document Number: 34-TT-33-04

Effective Date: 1st Release June 2019



Please take appropriate steps to avoid ESD damage when handling the Communication and Display Module assemblies

These instructions specify the procedure to remove the EU Meter assembly and install standard display module assembly.

Tools required

Table 1: Tools

For this item	Use this tool
M3 set screw for end cap removal	1.5 mm Allen key
Transmitter re-assembly	Parker Super O-ring lubricant or equivalent
Field upgrades	Pliers
M4 set screw for EU Meter Bracket Removal	Screw Driver

Step – 1: When installed as explosion-proof or flame-proof in a hazardous location, keep covers tight while the transmitter is energized. Disconnect power to the transmitter in the non-hazardous area prior to removing end caps for service.

When installed as non-incendive or non-sparking equipment in a hazardous location, disconnect power to the transmitter in the non-hazardous area, or determine that the location is non-hazardous before disconnecting or connecting the transmitter wires.

Step – 2: Loosen the end cap screw lock and unscrew the end cap from the Transmitter housing.

Step – 3: Uninstall the EU meter assembly as follows:

- a. Remove the parts of EU meter assembly (EU Meter, mounting bracket, mounting bracket screws, terminal strip, terminal strip screws) as shown in Figure 1 and Figure 2.

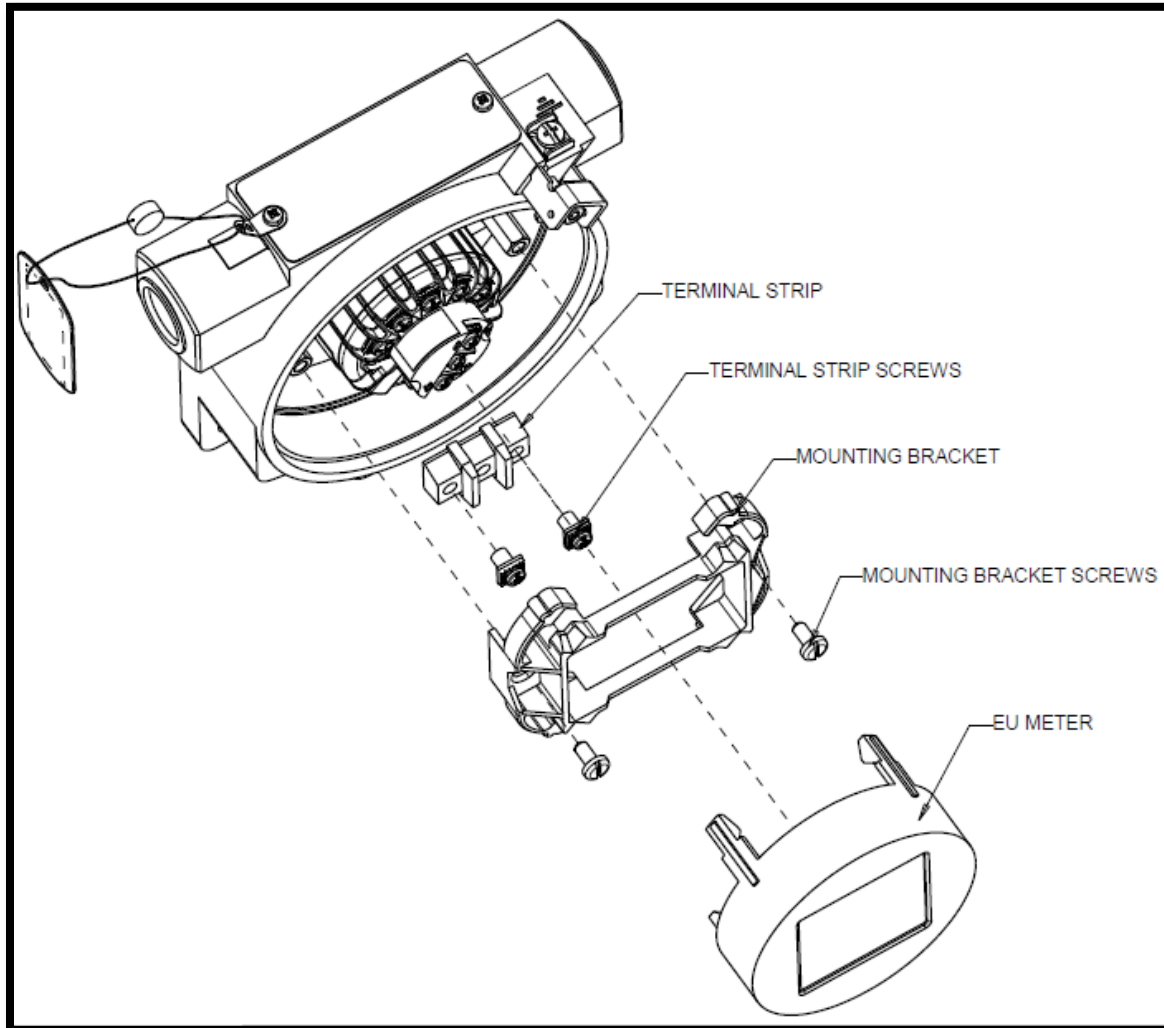


Figure 1: Parts to be removed

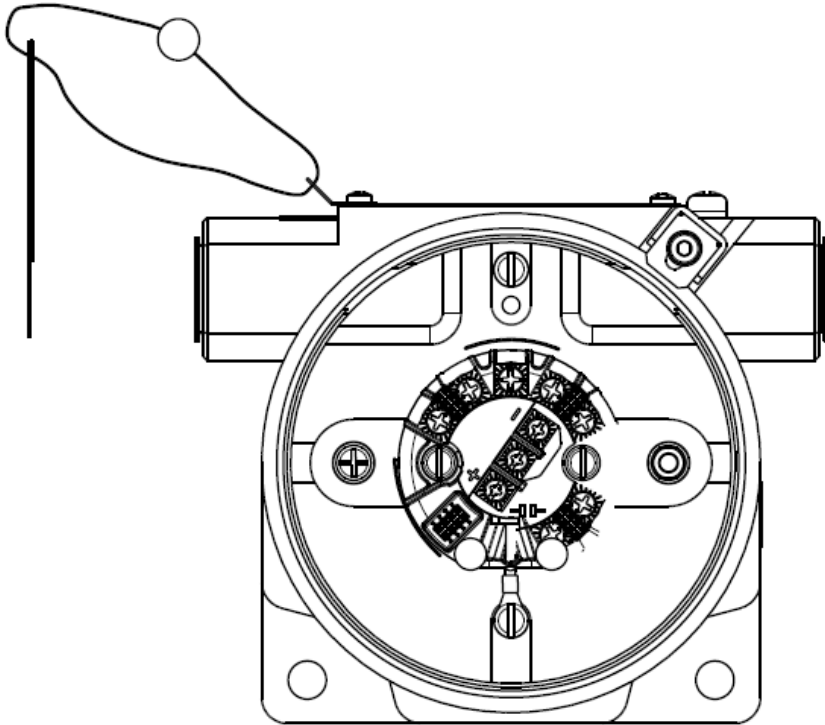


Figure 2: After the removal of EU Meter assembly from the Housing

Step – 4: Open the “EU meter to Simple display upgrade Kit” which includes the items as shown in Figure 3.

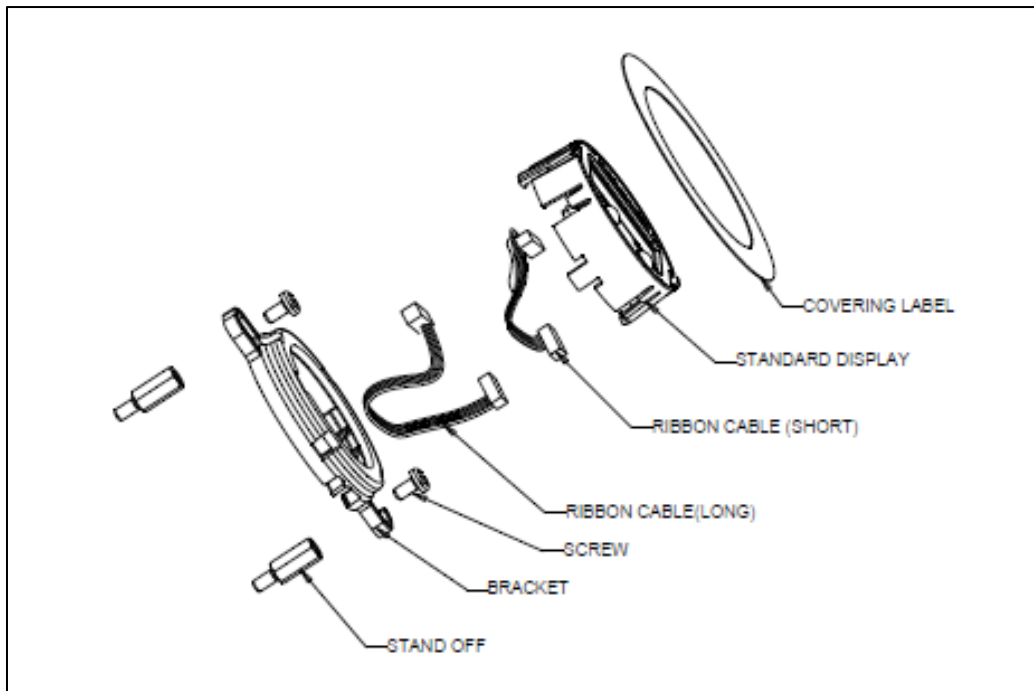


Figure 3: Replacement Kit items

Step – 5: Sub assemble the bracket, cables and standard display as follows:

A) Join both the cables as shown in below Figure 4.



Figure 4: Side view of cable joint (left), Orientation of cables to join (right)

B) Assemble standard display module onto the bracket as shown in Figure 5. Align the display module with the slots in the bracket and push. Check if the module is fitted properly into the bracket and is tight.

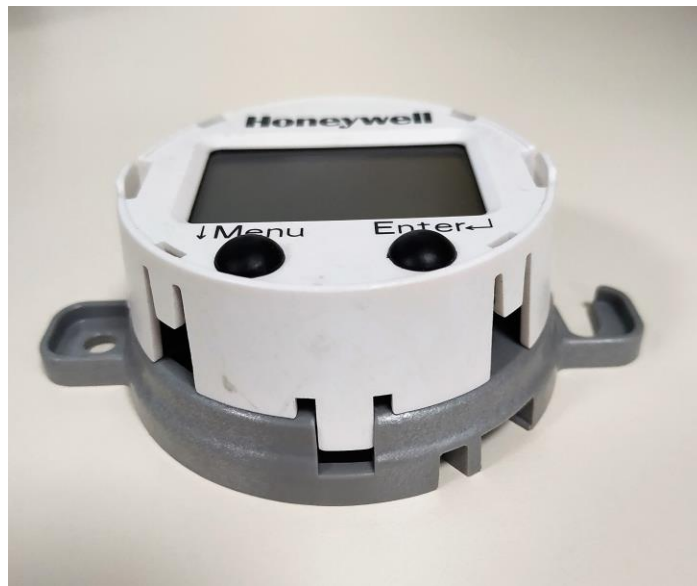


Figure 5: Standard display and bracket assembly

C) Connect the shorter cable connector to the display module at the indicated location. Ensure that the first pin of the cable connector (indicated with the black colored wire) matches with the first pin of the display connector (indicated with white spot). Refer Figure 6.

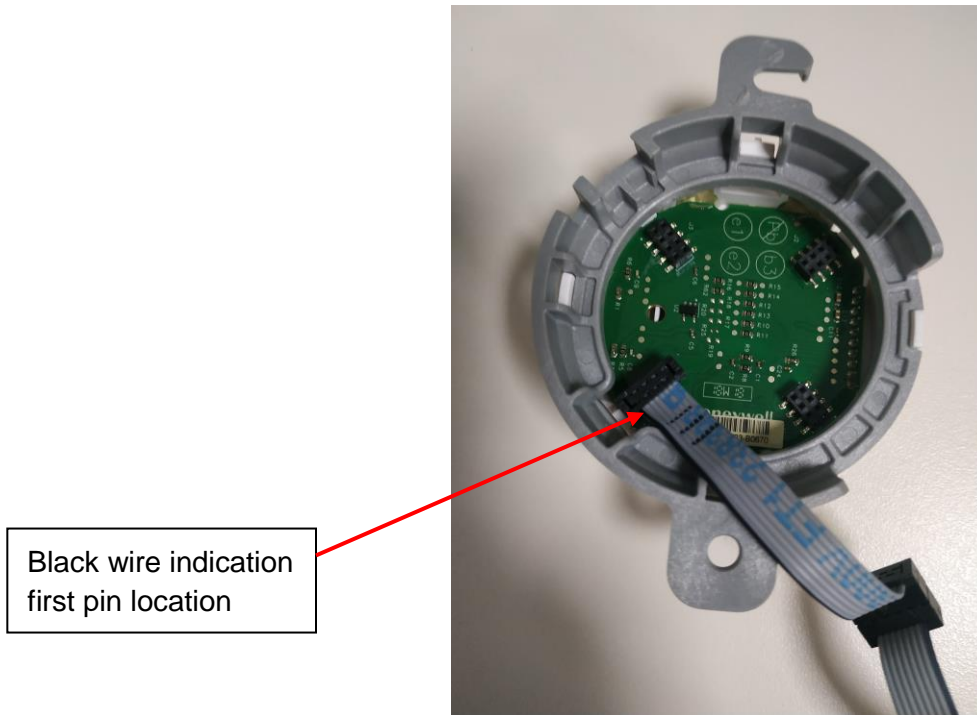


Figure 6: Short cable and display assembly

D) Fix the cable joint by sliding it slowly into the slot provided in the bracket as shown in Figure 7.

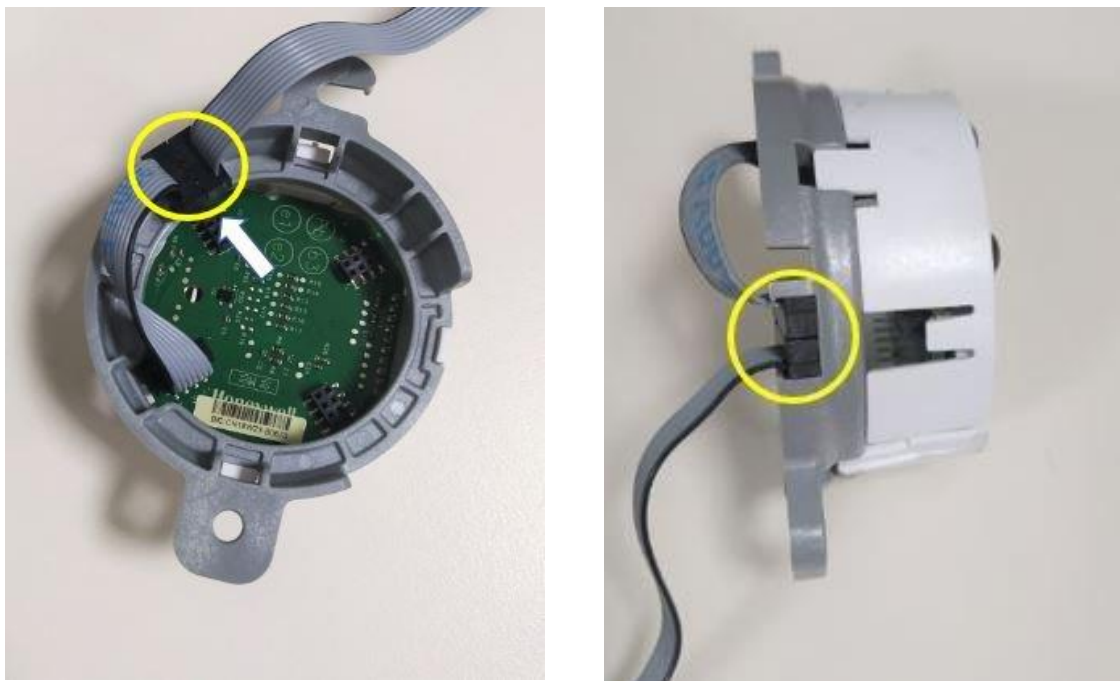


Figure 7: Cable joint fixed in the bracket

Step – 6: Connect the longer cable connector to the STT module, keeping the black colored wire towards the light protector module. Shown in Figure 8.

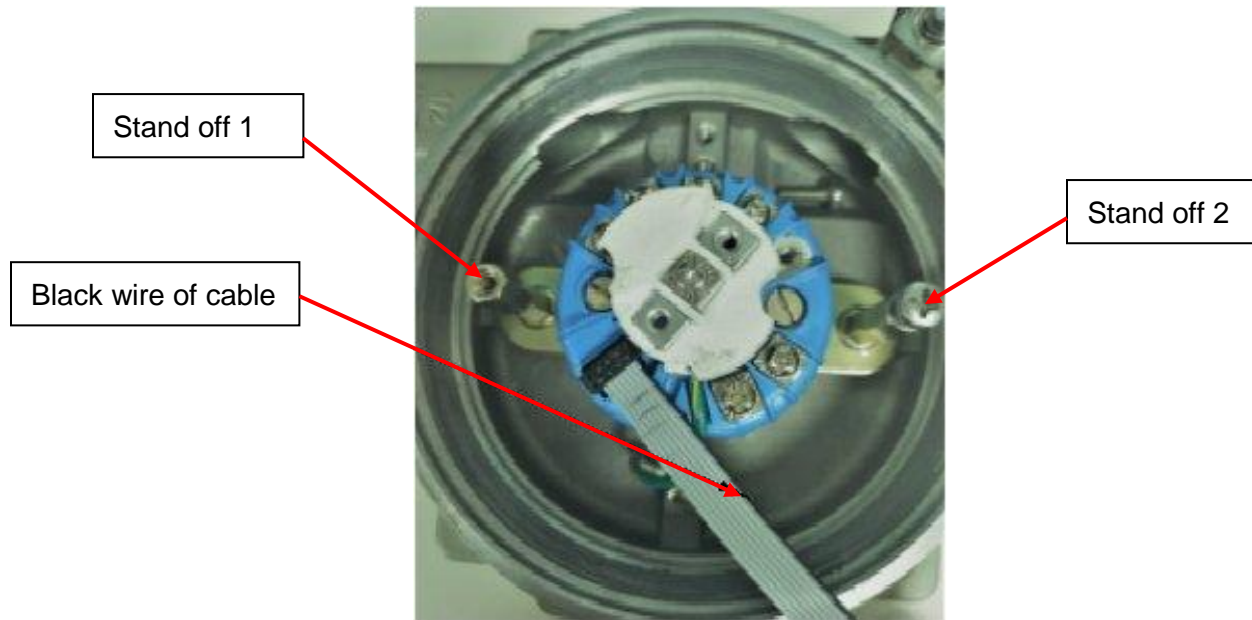


Figure 8: Long cable connection with STT Module

Step – 7: Assemble the two stand offs (available in Kit) on standoff 1 & 2 (on either side of the STT module). Refer Figure 8.

Step – 8: Pull the longer cable away from the STT module and screw the display bracket assembly with the stand offs.

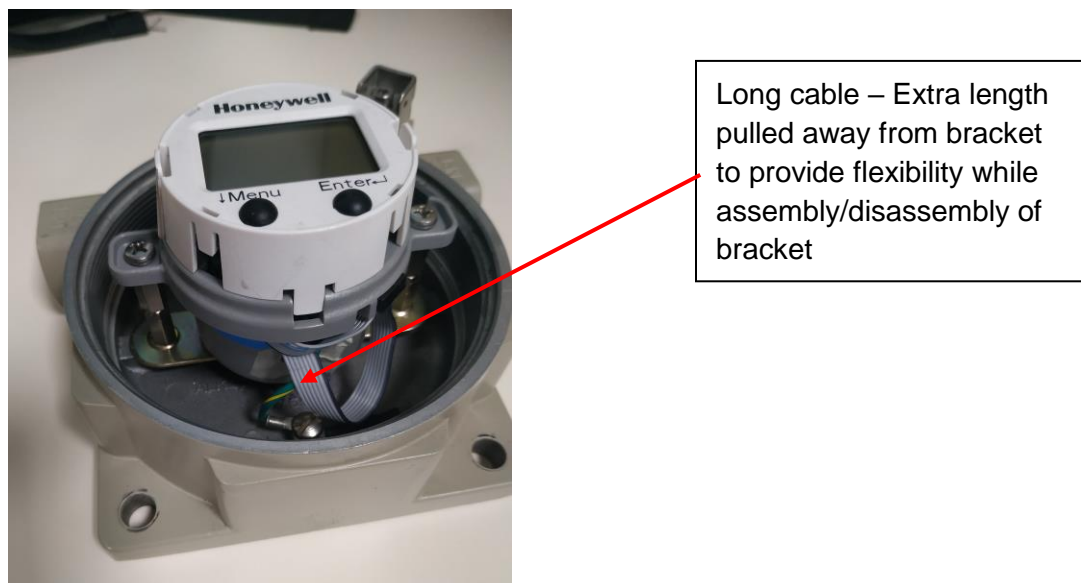


Figure 9: Positioning of Long cable in the IM Housing

Step – 9 (cable connection verification): Power ON the IM and wait for few seconds to check if the display module is working. If the display is ON, then continue with step 10. Else recheck the cable connections as described from step 5- 8.

Step –10: Power OFF the IM.

Step – 11: Stick the covering label provided, inside the IM top housing on the SS Retainer, as shown in Figure 10.

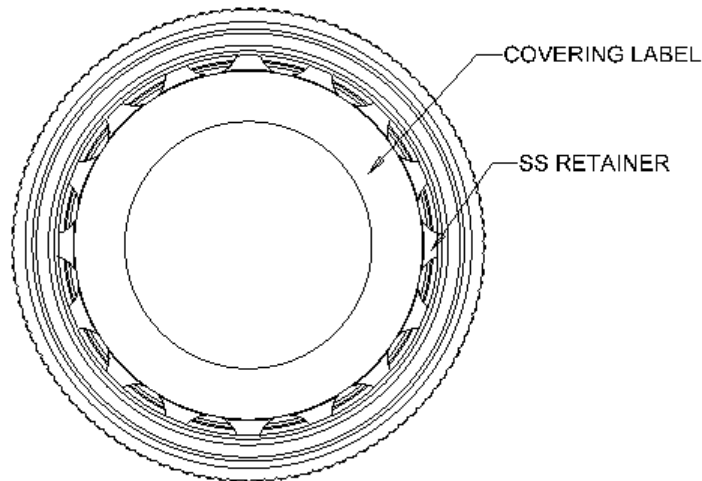


Figure 10: IM housing label assembly

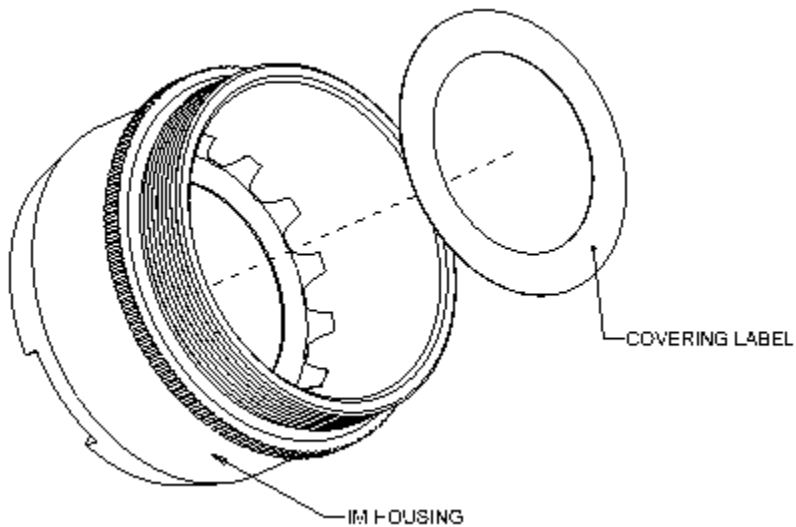


Figure 11: Covering label installation representation

Step – 12: Complete the external wiring as follows:

Unscrew 4-6 threads of the display bracket on both the sides. Hold the bracket at the Right-hand side (open hole side) and rotate in Clock Wise direction as shown in Figure 12.



Figure 12: Position of Simple display for external wiring

- a. Complete the required wiring connections to the STT Module and LP module following the routing as shown in the example below. Reassemble the bracket to its original position, after the wiring is completed and tighten the screws.



Figure 13: Example of external wiring (Reference only)

Step – 13: Apply Parker Super O-ring Lubricant or equivalent to the end cap O-ring before installing the end cap. Reinstall the End Cap and tighten the end cap locking screw.

Sales and Service

For application assistance, current specifications, pricing, or name of the nearest Authorized Distributor, contact one of the offices below.

ASIA PACIFIC

Honeywell Process Solutions,
(TAC) hfs-tac-support@honeywell.com

Australia

Honeywell Limited
Phone: +(61) 7-3846 1255
FAX: +(61) 7-3840 6481
Toll Free 1300-36-39-36
Toll Free Fax:
1300-36-04-70

China – PRC - Shanghai
Honeywell China Inc.
Phone: (86-21) 5257-4568
Fax: (86-21) 6237-2826

Singapore

Honeywell Pte Ltd.
Phone: +(65) 6580 3278
Fax: +(65) 6445-3033

South Korea

Honeywell Korea Co Ltd
Phone: +(822) 799 6114
Fax: +(822) 792 9015

EMEA

Honeywell Process Solutions,
Phone: + 80012026455 or
+44 (0)1344 656000

Email: (Sales)

FP-Sales-Apps@Honeywell.com

or

(TAC)

hfs-tac-support@honeywell.com

Web

Knowledge Base search
engine <http://bit.ly/2N5Vldi>

AMERICAS

Honeywell Process Solutions,
Phone: (TAC) 1-800-423-9883 or
215/641-3610
(Sales) 1-800-343-0228

Email: (Sales)

FP-Sales-Apps@Honeywell.com

or

(TAC)

hfs-tac-support@honeywell.com

Web

Knowledge Base search
engine <http://bit.ly/2N5Vldi>

For more information

To learn more about SmartLine Transmitters,
visit www.honeywellprocess.com

Or contact your Honeywell Account Manager

Process Solutions

Honeywell
1250 W Sam Houston Pkwy S
Houston, TX 77042

Honeywell Control Systems Ltd
Honeywell House, Skimped Hill Lane
Bracknell, England, RG12 1EB

Shanghai City Centre, 100 Jungi Road
Shanghai, China 20061

www.honeywellprocess.com

Honeywell

34-TT-33-04

June 2019

©2019 Honeywell International Inc.