

Battery Replacement Kit

Instruction Sheet for XYR6000 & Smartline Wireless Transmitters

Document No: 34-XY-33-01
Effective Date: 17th August 2018
Supersedes: 10/01/2010

<u>Order Part No.</u>	<u>Qty.</u>	<u>Description</u>
50026010-001	2	3.6V Lithium Thionyl Chloride Batteries
50026010-002	4	3.6V Lithium Thionyl Chloride Batteries
50026010-003	10	3.6V Lithium Thionyl Chloride Batteries

Summary Enclosed are replacement batteries for your XYR 6000 or Smartline Wireless transmitter. These instructions are divided into two procedures for:

- **IS Battery Holder, 50025288-502**
- **IS Battery Pack, 50047517-501**



Batteries must be replaced only by a trained service technician.



- Risk of death or serious injury by explosion.
- If IS Battery Pack, Honeywell 50047517-501, has been installed in the Wireless transmitter, the enclosure maybe opened when an explosive gas atmosphere is present. Otherwise, do not open transmitter enclosure when an explosive gas atmosphere is present.
 - When not in use the Battery Pack must be stored in a non Hazardous Area
- Do not change batteries in an explosive gas atmosphere.
- The batteries used in this device may present a risk of fire or chemical burn if mistreated. Do not recharge, disassemble, heat above 100°C (212°F), or incinerate.

- When installing batteries, do not snag the battery terminal on the clip or the battery may be damaged. Do not apply excessive force.

Do not drop. Dropping the battery may cause damage. If a battery is dropped, do not install the dropped battery into the transmitter. Dispose of dropped battery promptly per local regulations or per the battery manufacturer's recommendations.

Tools required

Use this tool	For this item
#1 Phillips Screwdriver or 1/8" Slotted Screwdriver	M3 set screws for separating Battery Holder/Pack from Transmitter Housing
Torque Screwdriver	M3 set screws for Battery Holder/Pack installation
1.5 mm hex key	M3 set screw for end cap removal and installation

Procedure It is the User/Installer's responsibility to install the XYR6000 or Smartline Wireless Transmitters in accordance with national and local code requirements.

IS Battery Holder, 50025288-502, for XYR6000 Only

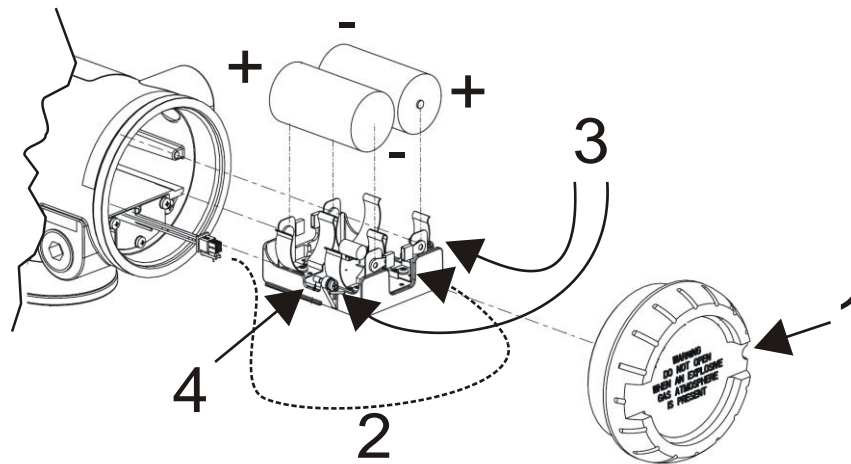


Figure 1 Battery Assembly



ATTENTION

You must replace both batteries. Both batteries must be the same model from the same manufacturer. Mixing old and new batteries or different manufacturers is not permitted.

Use only the following 3.6V lithium thionyl chloride (Li-SOCI₂) batteries (non-rechargeable), size D. No other batteries are approved for use in XYR 6000 or Smartline Wireless Transmitters.

- Xeno Energy XL-205F
- Eagle Picher PT-2300H
- Tadiran TL-5930/s
- Honeywell p/n 50026010-001 (Two 3.6V lithium thionyl chloride batteries) (1 transmitter)
- Honeywell p/n 50026010-002 (Four 3.6V lithium thionyl chloride batteries) (2 transmitters)
- Honeywell p/n 50026010-003 (Ten 3.6V lithium thionyl chloride batteries) (5 transmitters)

Step – 1: Loosen the M3 locking set screw on the battery end-cap (opposite end from display). See item 1 in **Error! Reference source not found..** Unscrew and remove the end cap.

Step – 2: Using thumb and forefinger, squeeze the battery connector at top and bottom to disengage the locking mechanism, then pull to disconnect. See item 2 in **Error! Reference source not found.**

Step – 3: Loosen the two battery holder retaining screws (closest to the batteries). See item 3 in **Error! Reference source not found.** The screws are captive.

Step – 4: Pull the battery holder out of the transmitter.

Step – 5: Remove the old batteries from the battery holder. If needed, pry out the batteries by using a slotted screwdriver as a lever in the holder's side slots. See item 4 in **Error! Reference source not found.**

Step – 6: Install batteries as follows to avoid snagging the battery terminal on the clip and damaging the battery.

Align the new battery with the clips and angle the positive end of the battery into the positive battery terminal clip. Using a thumb and forefinger pull the negative terminal clip outward and push down on the battery until fully seated in the clips. Do not apply excessive force when pushing battery down.

Repeat this process for the second battery.

Step – 7: Insert the battery holder into the transmitter. Reattach the screws and tighten to 0.4 – 0.6 N-M (3.5 – 5.3 Lb-in).

Re-connect battery connector.

Honeywell recommends lubricating the end cap O-ring with a Silicone Grease such as Dow Corning #55 or equivalent before replacing the end cap.

Step – 8: Screw the end cap back on and tighten the M3 locking screw.

Step – 9: Dispose of used battery promptly per local regulations or the battery manufacturer's recommendations. Keep away from children. Do not disassemble and do not dispose of in fire.

IS Battery Pack, 50047517-501



WARNING

DO NOT ASSEMBLE WHEN AN EXPLOSIVE ATMOSPHERE IS PRESENT

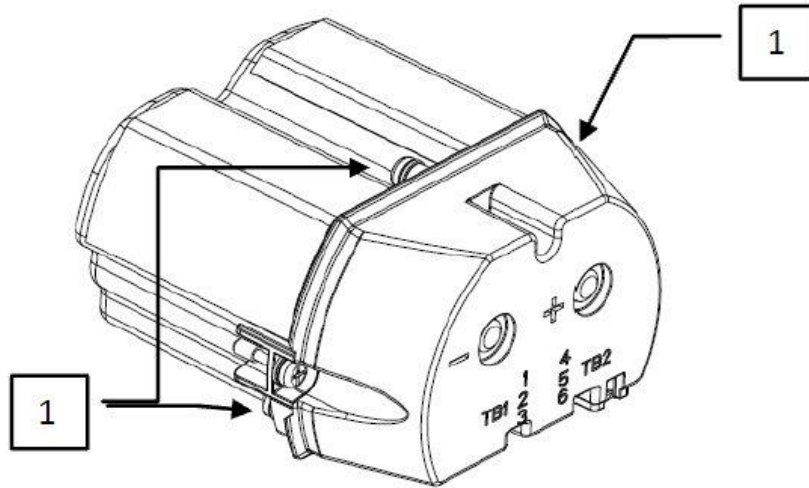


Figure 2: IS Battery Pack

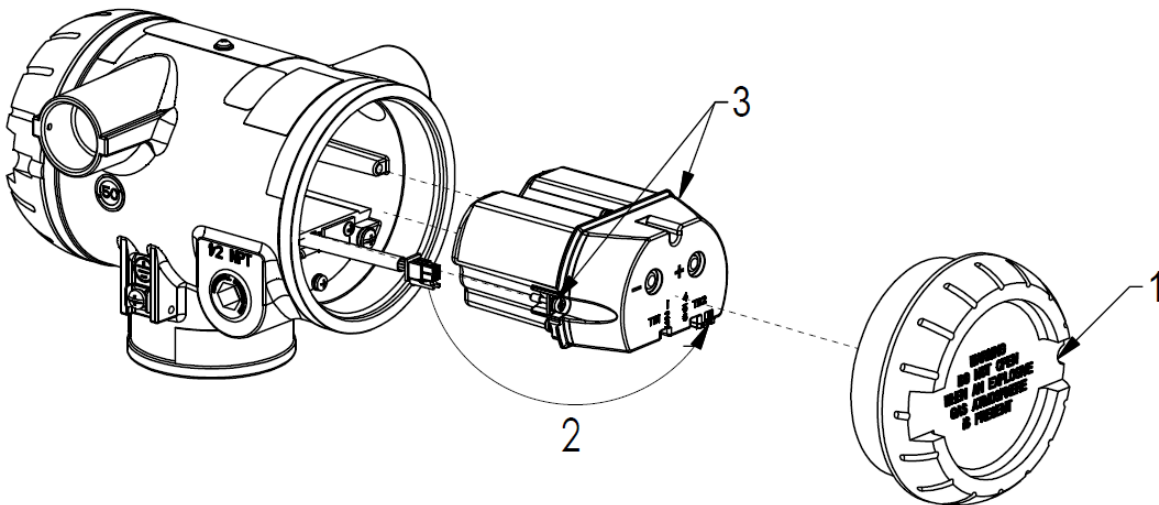


Figure 3 XYR6000 & Smartline Wireless Battery Assembly

Step – 1: Loosen the M3 locking set screw on the battery end-cap (opposite end from display). See item 1 in Figure 3. Unscrew and remove the end cap.

Step – 2: Using thumb and forefinger, squeeze the battery connector at top and bottom to disengage the locking mechanism, then pull to disconnect. See item 2 in Figure 3.

Step – 3: Loosen the two battery pack retaining screws. See item 3 in Figure 3 . The screws are captive.

Step – 4: Pull the battery pack out of the transmitter.

Step – 5: Remove top of battery pack by using a #1 Philips or 1/8" slotted screwdriver for the screws identified as #1 in Figure 2.

Step – 6: Remove the old batteries and dispose of them promptly according to local regulations of the battery manufacturer's recommendations.

Step – 7: Install the batteries following the polarity as noted on the lid.

Step – 8: Re-install top of the battery pack and tighten screws.

Step – 9: Insert the battery pack into the transmitter. Reattach the screws as indicated in Figure 3 **Error! Reference source not found.**, item 3, to 0.4 to 0.6 N-M (3.5 – 5.3 Lb-in).

Reconnect the Batter Pack connector

Honeywell recommends lubricating the end cap with a silicone grease such as Dow Corning #55 or equivalent before replacing the end cap.

Step – 10: Screw the cap back on and tighten the M3 locking screw.

Step – 11: Dispose of used battery promptly per local regulations or the battery manufacturer's recommendations. Keep away from children. Do not disassemble and do not dispose of in fire.

Sales and Service

For application assistance, current specifications, pricing, or name of the nearest Authorized Distributor, contact one of the offices below.

ASIA PACIFIC

Honeywell Process Solutions,
Phone: + 800 12026455 or
+44 (0) 1202645583
(TAC) hfs-tac-support@honeywell.com

Australia

Honeywell Limited
Phone: +(61) 7-3846 1255
FAX: +(61) 7-3840 6481
Toll Free 1300-36-39-36
Toll Free Fax:
1300-36-04-70

China – PRC - Shanghai

Honeywell China Inc.
Phone: (86-21) 5257-4568
Fax: (86-21) 6237-2826

Singapore

Honeywell Pte Ltd.
Phone: +(65) 6580 3278
Fax: +(65) 6445-3033

South Korea

Honeywell Korea Co Ltd
Phone: +(822) 799 6114
Fax: +(822) 792 9015

EMEA

Honeywell Process Solutions,
Phone: + 800 12026455 or
+44 (0) 1202645583

Email: (Sales)

FP-Sales-Apps@Honeywell.com

or

(TAC)

hfs-tac-support@honeywell.com

AMERICAS

Honeywell Process Solutions,
Phone: (TAC) (800) 423-9883
or (215) 641-3610
(Sales) 1-800-343-0228

Email: (Sales)

FP-Sales-Apps@Honeywell.com

or

(TAC)

hfs-tac-support@honeywell.com

For more information

To learn more about SmartLine Transmitters,
visit www.honeywellprocess.com
Or contact your Honeywell Account Manager

Process Solutions

Honeywell
1250 W Sam Houston Pkwy S
Houston, USA, TX 77042

Honeywell Control Systems Ltd
Honeywell House, Skimped Hill Lane
Bracknell, England, RG12 1EB

Shanghai City Centre, 100 Jungi Road
Shanghai, China 20061

www.honeywellprocess.com



34-XY-33-01 Rev.4
August 2018

©2018 Honeywell International Inc.