

OWA100 OneWireless Adapter

Installation of OWA 100 Remote Mounting Kit

<u>Order Part No.</u>	<u>Qty.</u>	<u>Description</u>
50056644-501	1	OWA100 REMOTE MTG KIT - 1/2NPT
50056644-502	1	OWA100 REMOTE MTG KIT - M20

Document Number **Form: 34-XY-33-11**
Effective Date: 2/28/11

Overview This document provides general guidelines for installing the One Wireless Remote Mounting Kits.

Parts listed in Table 1 are included in each Kit.

Figure 1 shows Remote Mounting Kit Components

Purpose / Scope of this document The purpose of this document is to alert the installer that proper precautions must be taken when installing the Remote Mounting Kit.

Applicability The Remote Mounting Kit is an optional kit that is available for use with the OWA 100.
When correctly installed the junction box assembly is environmentally rated Type 4X / IP66

This document applies to the following OWA 100 Remote Mounting Kits:

- 50056644-501 ½ NPT Remote Mounting Kit
- 50056644-502 M20 Remote Mounting Kit

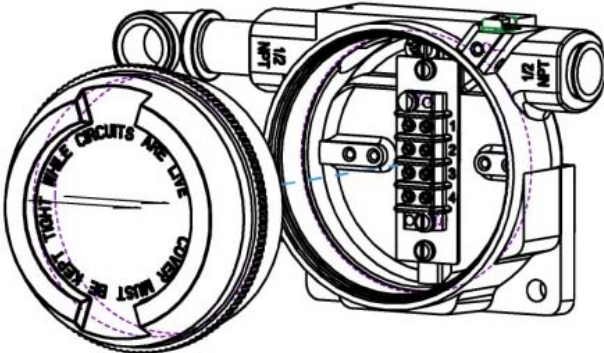


Figure 1 ½ NPT Remote Mounting Kit 50056644-501

Table 1 Parts List for 50056644-501 ½ NPT Remote Mounting Kit		
Part Number	Quantity	Description
51204230-004	1	Painted (Light Beige) Aluminum Housing Assembly with terminal block and 316 SS ½ NPT fittings . 115 / 4.53 square base x 45 / 1.77 deep with M105 x 2,0 threaded opening
30752006-001	1	Painted (Light Beige) Aluminum Cap with O-ring M105 x 2,0 threaded cap x 25,4 /1.00 high (when assembled)

Table 2 Parts List for 50056644-502 M20 Remote Mounting Kit		
Part Number	Quantity	Description
51204230-004	1	Painted (Light Beige) Aluminum Housing Assembly with terminal block and 316 SS ½ NPT fittings . 115 / 4.53 square base x 45 / 1.77 deep with M105 x 2,0 threaded opening
30752006-001	1	Painted (Light Beige) Aluminum Cap with O-ring M105 x 2,0 threaded cap x 25,4 /1.00 exposed height
51202409-001	2	M20 Female x ½ NPT Male 316 SS Adapter

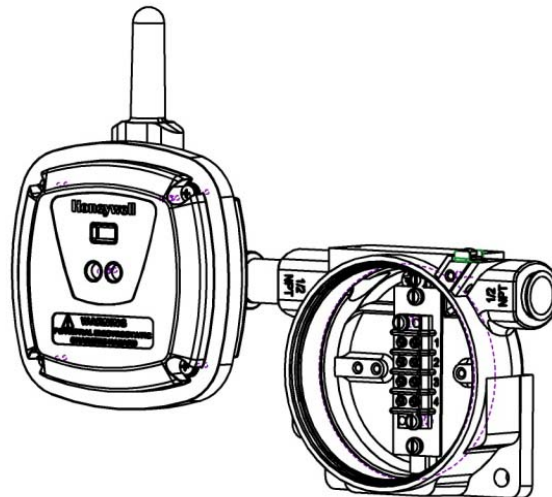


Figure 2 M20 Remote Mounting Kit 5005664-502

Installation of OWA 100 Using Remote Mounting Kit 50056644-501 (1/2 NPT)

Introduction

It is the responsibility of the user to ensure all applicable practices, codes, standards and safety measures are followed.

Note: **Figure 1** shows surface mounting. For pipe mounting use pipe bracket kit 30671907-501

Step	Description
1	Mount housing using (2) M6 or 1/4" screws. Remove plastic cap plugs and assemble required conduit and fittings.
2	Remove cap to exposed terminal block
3	Assemble OWA 100 unit to 1/2 NPT elbow of base feeding wire thru fittings into base. (Figure 3) Note: See Sections 3.2 to 3.4 of the OWA 100 manual 34-XY-25-40 for installation and wiring of OWA 100.
4	Connect wires from OWA 100 unit per wiring diagram (Figure 4)
5	Feed customer wires into right side of housing and connect wire per wiring diagram (Figure 4)
6	Assemble cap to housing.

Installation of OWA 100 Using Remote Kit 50056644-502 (M20)

Introduction

It is the responsibility of the user to ensure all applicable practices, codes, standards and safety measures are followed.

Note: **Figure 1** shows surface mounting. For pipe mounting use pipe bracket kit 30671907-501

Step	Description
1	Remove plastic cap plugs. Assemble required M20F x 1/2 NPTM adapter fittings.
2	Mount housing using (2) M6 or 1/4 " screws and assemble required conduit and fittings
3	Remove cap to exposed terminal block
4	Assemble OWA 100 unit to M20 adapter of base feeding wire thru fittings into base. (Figure 3) Note: See Sections 3.2 to 3.4 of the OWA 100 manual 34-XY-25-40 for installation and wiring of OWA 100.
5	Connect wires from OWA 100 unit per wiring diagram (Figure 4)
6	Feed customer wires into right side of housing and connect wire per wiring diagram (Figure 4)
7	Assemble cap to housing.

Note The Enclosure and terminal block are suitable for connection of intrinsically safe and non-incendive circuits without any agency certification. Ignore warning on cap!

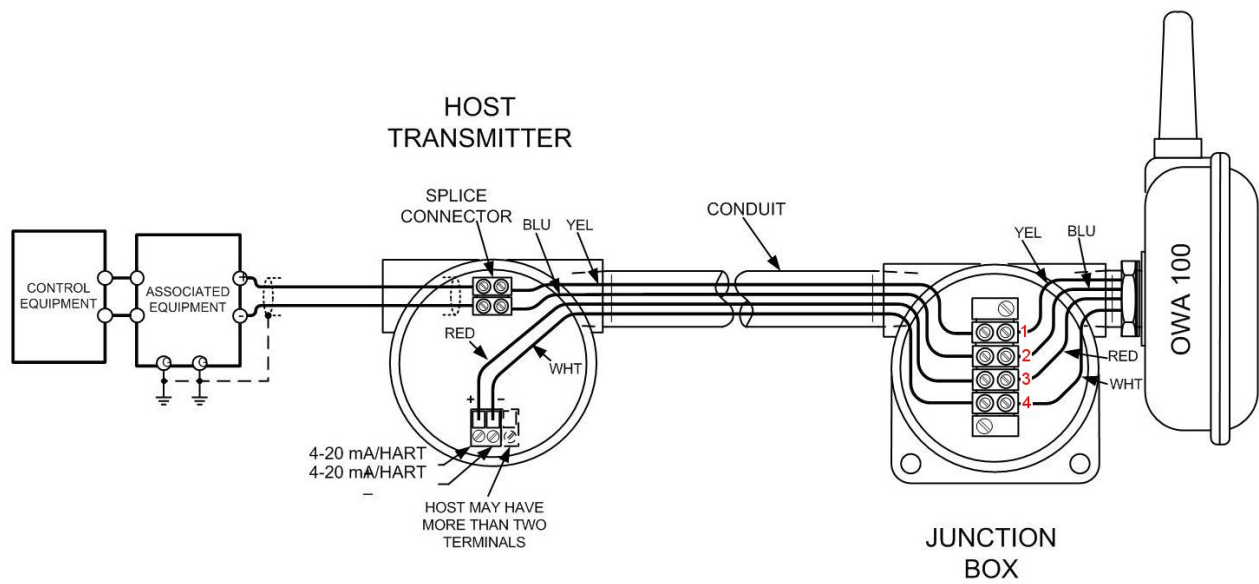


Figure 3 – Remote Installation

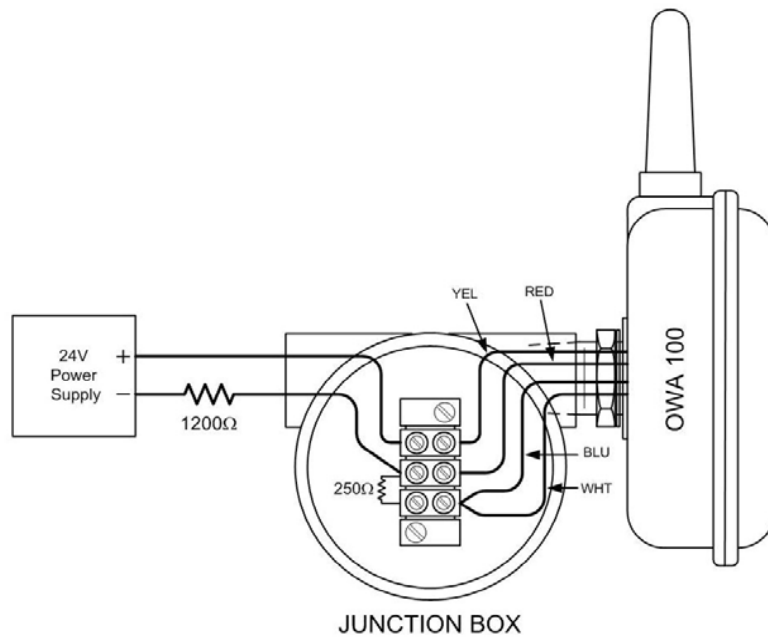
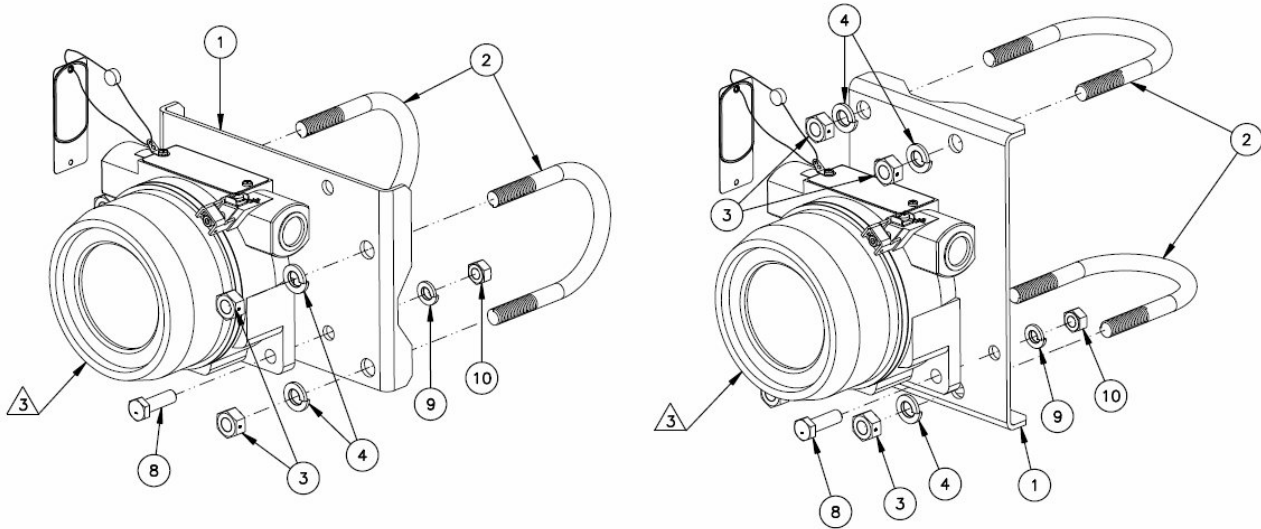


Figure 4 – OWA 100 – AS A ROUTER, NO WIRED DEVICE

NOTE: Refer to the OneWireless User Manual 34-XY-25-40 for complete wiring details

For mounting the box to a pipe use the following Pipe Mounting kits:

<u>Order Part No.</u>	<u>Qty.</u>	<u>Description</u>
30755905-001	1	CARBON STEEL ZINC PLATED PIPE MOUNTING KIT
30671907-001	1	STAINLESS STEEL PIPE MOUNTING KIT



304 SS BRACKET/316 SS HARDWARE PIPE MOUNTING KIT				
CARBON PIPE MOUNTING KIT				
2		10	30749230-003	NUT, M8, 316 SS
	2		30753080-008	NUT, M8, CS
2		9	51198573-001	LOCKWASHER, M8, 316 SS
	2		50024437-008	LOCKWASHER, M8, CS
2		8	30749233-005	SCREW, M8 X 25, 316 SS
	2		30753079-083	SCREW, M8 X 25, LG, CS
		7	-	-
		6	-	-
		5	-	-
4		4	51198573-002	LOCKWASHER, M10, 316 SS
	4		50024437-009	LOCKWASHER, M10, CS
4		3	30749230-002	HEX NUT, M10, 316 SS
	4		30753080-009	HEX NUT, M10, CS
2		2	51198577-002	U-BOLT, M10, 316 SS
	2		30753066-001	U-BOLT, M10, CS
			30755902-003	316 SS STT/RMA MOUNTING BRACKET 2" PIPE
1		1	30755902-002	304 SS STT/RMA MOUNTING BRACKET 2" PIPE
	1		30755902-001	CS STT/RMA MOUNTING BRACKET 2" PIPE
30671907-001	30755905-001	FIND NO.	PART NO.	DESCRIPTION