

## Models DR4200, DR4300, and DR4500 Recorders Replacement Instruction

### Chart Motor Kit (30756113-501)

**Document Number** Form: 44-45-33-37B  
Effective: 12/98  
Supersedes: 3/98

**Kit Contents** This Chart Motor Replacement Kit contains the following parts:

Description	Quantity	Used On
• Chart Motor	1	All models
• Chart Hub Kit	1	All models
• Tie Wraps	4	All models
• Screws, Plastite #4 x .313	2	Newer models without brass inserts
• Screw/Lockwasher #4 x .25	2	Older models with brass inserts

#### Summary

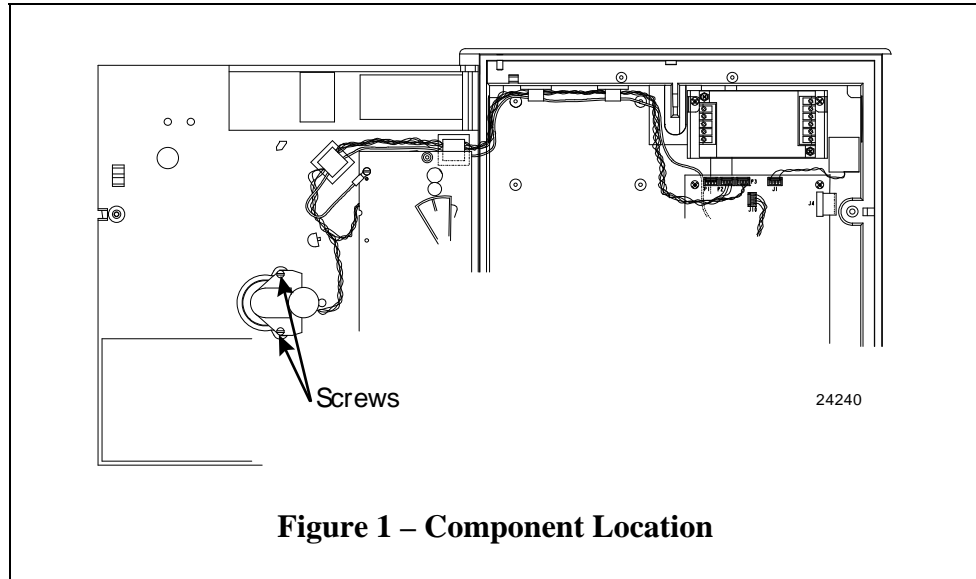
Enclosed is a new chart motor assembly with parts required to replace the chart motor in a DR4200, DR4300, or DR4500 recorder. Use the following procedures, as appropriate, to replace the existing chart motor assembly.

**WARNING** Never access components inside the case, or remove or install any connectors, with power applied.

*Continued next page*

**Component Location  
for DR4200/DR4300**

Refer to Figure 1 for the component locations and Table 1 for the installation procedure.



**DR4200/DR4300  
Procedure**

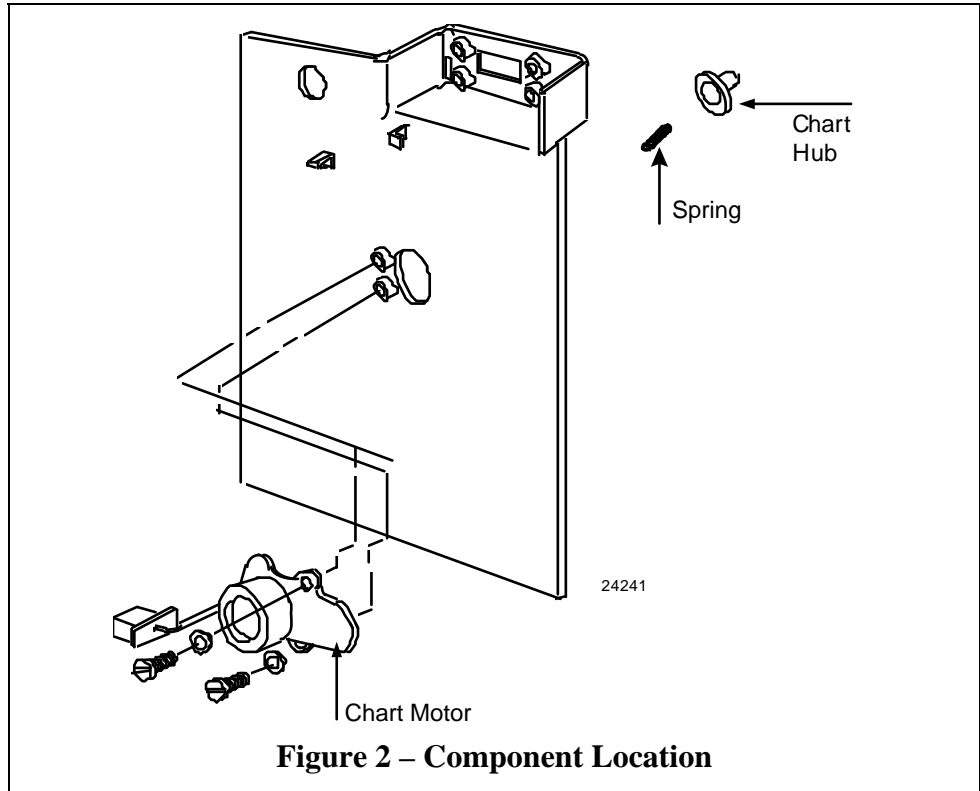
Follow the procedure in Table 1 to replace the existing chart motor assembly in your recorder.

**Table 1 –  
Chart Motor Assembly Replacement for DR4200/DR4300 Recorders**

Step	Action
1	Open the chart door and swing the chart plate out.
2	Remove chart hub (front of chart plate) and chart motor (rear of chart plate) by removing screws. Cut tie wraps securing leads to chart plate (if applicable). Discard motor and hub; save screws.
3	Use new tie wraps to re-bundle new motor leads.
4	Refer to Chart Hub instruction sheet (steps 3-6) for remaining steps.

**Component Location for DR4500**

Refer to Figure 2 for the component locations and Table 2 for the installation procedure.



**Figure 2 – Component Location**

**DR4500 Procedure**

Follow the procedure in Table 2 to replace the existing chart motor assembly in your recorder.

**Table 2 – Chart Motor Assembly Replacement for DR4500 Recorder**

Step	Action
1	Open the chart door and swing the chart plate out.
2	Remove chart hub and motor assembly by removing screws and cutting tie wraps. Discard hub and motor, but save screws.
3	Use new tie wraps to re-secure wires.
4	Refer to Chart Hub replacement instructions (steps 3-6) for remaining steps.